



INSTALLATION AND OPERATION MANUAL

ENGLISH | FRANÇAIS



Jandy® Cartridge Pool Filters CL and CV Versa-Plumb®

WARNING

FOR YOUR SAFETY - This product must be installed and serviced by a contractor who is licensed and qualified in pool equipment by the jurisdiction in which the product will be installed where such state or local requirements exist. The maintainer must be a professional with sufficient experience in pool equipment installation and maintenance so that all of the instructions in this manual can be followed exactly. Before installing this product, read and follow all warning notices and instructions that accompany this product. Failure to follow warning notices and instructions may result in property damage, personal injury, or death. Improper installation and/or operation will void the warranty.



Improper installation and/or operation can create unwanted electrical hazard which can cause serious injury, property damage, or death.

ATTENTION INSTALLER - This manual contains important information about the installation, operation and safe use of this product. This information should be given to the owner/operator of this equipment.

Table of Contents

| | |
|--|---|
| <p>Section 1. Important Safety Instructions..... 4</p> <p>1.1 Important Safety Warning..... 4</p> <p>1.2 General Safety Instructions 4</p> <p>Section 2. General Information 5</p> <p>2.1 Introduction..... 5</p> <p>2.2 Description 5</p> <p>2.3 General Requirements 5</p> <p>2.4 Specifications and Dimensions 5</p> <p>Section 3. Installation Instructions6</p> <p>3.1 Filter Location 6</p> <p>3.2 Anchor Bracket Installation..... 6</p> <p>3.3 Filter Preparation..... 6</p> <p>3.4 Filter Plumbing 7</p> <p>3.5 Clamp Installation..... 10</p> <p>Section 4. Start-Up and Operation 10</p> <p>Section 5. Filter Disassembly and Assembly11</p> | <p>Section 6. Maintenance..... 12</p> <p>6.1 General Maintenance 12</p> <p>6.2 Pressure Gauge 12</p> <p>6.3 Cleaning the Filter Cartridge 12</p> <p>Section 7. Winterizing 12</p> <p>Section 8. Troubleshooting 13</p> <p>Section 9. Parts List and Exploded View 14</p> <p>9.1 Jandy Pro CL and CV Cartridge Filter Parts List 14</p> <p>9.2 Jandy Pro CL and CV Filters Exploded View 15</p> <p>Section 10. Head Loss Curves 16</p> <p>10.1 Jandy Pro CL and CV Cartridge Filter Design Head Loss Curves..... 16</p> |
|--|---|

| EQUIPMENT INFORMATION RECORD | |
|---|-------|
| DATE OF INSTALLATION | _____ |
| INSTALLER INFORMATION | _____ |
| INITIAL PRESSURE GAUGE READING (WITH CLEAR FILTER) | _____ |
| PUMP MODEL | _____ |
| HORSEPOWER | _____ |
| FILTER MODEL | _____ |
| SERIAL NUMBER | _____ |
| NOTES: | _____ |
| | _____ |
| | _____ |

Section 1. Important Safety Instructions

READ AND FOLLOW ALL INSTRUCTIONS

1.1 Important Safety Warning



⚠ WARNING

- Do not connect system to an unregulated city water system or other external source of pressurized water producing pressures greater than 35 PSI.
- Pressurized air in system can cause product failure or also cause the filter lid to be blown off which can result in death, serious personal injury, or property damage. Be sure all air is out of system before operating or testing the equipment.



⚠ WARNING

MAXIMUM OPERATING PRESSURE OF THE FILTER IS 50 PSI. NEVER SUBJECT THE FILTER TO ANY OPERATING PRESSURE EXCEEDING 50 PSI.

This filter operates under high pressure. When any part of the circulating system, i.e., filter, pump, valve(s), clamp, etc. is serviced, air can enter the system and become pressurized when the system is restarted. Pressurized air can cause product failure or also cause the filter lid to be blown off which can result in death, serious personal injury or property damage. To avoid this potential hazard, follow all of the instructions in this manual.



⚠ WARNING

To minimize risk of severe injury or death the filter and/or pump should not be subjected to the piping system pressurization test.

Local codes may require the pool piping system to be subjected to a pressure test. These requirements are generally not intended to apply to the pool equipment such as filters or pumps.

Jandy Pro Series pool equipment is pressure tested at the factory.

If however this WARNING cannot be followed and pressure testing of the piping system must include the filter and/or pump **BE SURE TO COMPLY WITH THE FOLLOWING SAFETY INSTRUCTIONS:**

- Check all clamps, bolts, lids, lock rings and system accessories to ensure they are properly installed and secured before testing.
- **RELEASE ALL AIR** in the system before testing.
- Water pressure for test must NOT EXCEED 35 PSI.
- Water temperature for test must NOT EXCEED 100°F (38°C).
- Limit test to 24 hours. After test, visually check system to be sure it is ready for operation.

Notice: These parameters apply to Jandy Pro Series equipment only. For non-Jandy equipment, consult equipment manufacturer.

1.2 General Safety Instructions



ATTENTION INSTALLER

This manual contains important information about the installation, operation and safe use of this product. This information should be given to the owner/operator of this equipment.

1. Use equipment only in a pool or spa installation.
2. Before repositioning valve(s) and before beginning the assembly, disassembly, or adjustment of the clamp, or any other service of the circulating system; (A) **turn the pump off** and shut off any automatic controls to ensure the system is not inadvertently started during servicing; (B) open the air release valve; (C) wait until all pressure is relieved (air will have stopped flowing from the air release valve).
3. Whenever installing the filter clamp **follow Section 3.5** of this manual, "**Clamp Installation**".
4. Once service on the circulation system is complete, **follow Section 4** of this manual, "**Start-up and Operation**".
5. Maintain circulation system properly. Replace worn or damaged parts immediately.
6. Be sure that the filter is properly mounted and positioned according to these installation instructions.
7. Do not pressure test above 35 PSI. Pressure testing must be done by a trained pool professional.

SAVE THESE INSTRUCTIONS

Section 2. General Information

2.1 Introduction

This manual contains information for the proper installation and operation of the CL and CV Jandy Cartridge Filters. Procedures in this manual must be followed exactly. For technical assistance, contact our Technical Support Department at 1.800.822.7933.

2.2 Description

Cartridge filters do not require sand or diatomaceous earth as the filter medium. Instead, the filter contains filter elements which are easily removed for cleaning or replacement.

Dirty water flows into the filter tank through the water line connected to the lower bulkhead (inlet) on the bottom half of the tank body. It is directed through the filter cartridge inside of the filter. The debris is collected in the filter and the clean water flows out of the filter through the upper bulkhead (outlet) on the bottom half of the tank body. Clean water is returned through the piping system to the pool.

As debris collects in the filter, the pressure will rise and water flow to the pool will diminish. The filter will eventually become so plugged with debris that it will be necessary to remove the filter cartridges and clean them with soap and water.

NOTE A filter removes dirt and other suspended particles but does not sanitize the pool. Pool water must be sanitized and chemically balanced for clear water. The filtration system should be designed to meet local health codes. At a minimum, the system should turnover the total volume of water in your pool two to four times in a 24 hour period.

2.3 General Requirements

1. For best overall performance place the system as close to the pool as possible.
2. The filter should be located on a level concrete slab so that the orientation of the valve outlets and the pressure gauge are convenient and accessible for the installation and operation of the unit.
3. Protect the filter from the weather.
4. If fitting a chlorinator and/or any other device into the filtration plumbing circuit, great care must be exercised to ensure that the appliance is installed in accordance with the Manufacturer's Instructions and any standards that may exist.
5. We recommend the use of barrel unions to connect each component of the water conditioning system to ease in future servicing. Barrel unions are provided with all Jandy filters.

! WARNING

The maximum operating pressure for this filter is 50 psi. Never subject the filter to operating pressure exceeding 50 psi. Operating pressures above 50 psi can cause product failure or also cause the lid to be blown off, which can result in death, serious personal injury, or property damage.

6. When performing hydrostatic pressure tests or when testing for external leaks of the completed filtration and plumbing system, ensure that the maximum pressure the filtration system is subjected to **does not exceed the maximum working pressure of any of the components within the system.**

2.4 Specifications and Dimensions

See Table 1 and Figure 1.

Table 1. Cartridge Filter Specifications

| CL/CV | 340 | 460 | 580 |
|--------------------------------|--------|--------|--------|
| Filter Area (ft ²) | 340 | 460 | 580 |
| Max. Flow (gpm) | 127 | 150 | 150 |
| Six Hour Capacity (gal.) | 45,720 | 54,000 | 54,000 |
| Max. Working Pressure (psi) | 50 | 50 | 50 |
| Normal Start Up Pressure (psi) | 6-15 | 6-15 | 6-15 |
| Dimension "A" | 41 in. | 41 in. | 47 in. |

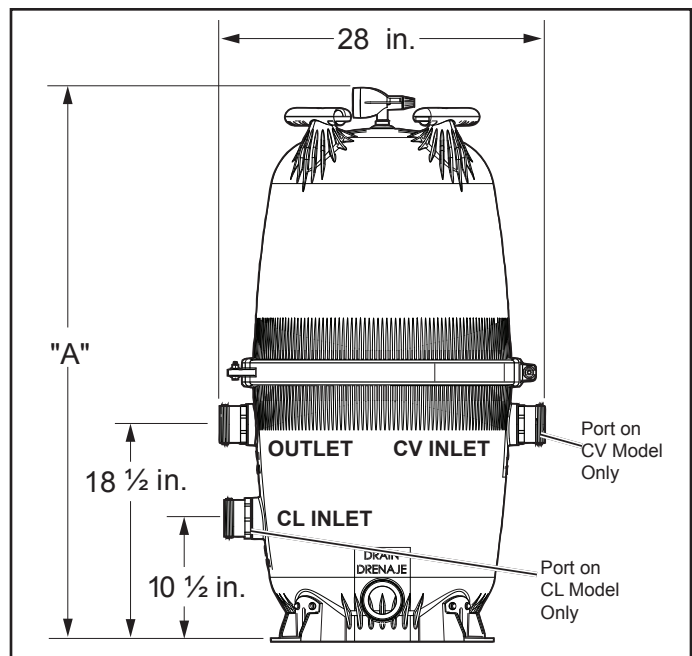


Figure 1. Dimensions, Jandy Pro CL and CV Series Cartridge Filters

Section 3. Installation Instructions

⚠ WARNING

Use equipment only in a pool or spa installation. Do not connect system to an unregulated city water system or other external source of pressurized water producing pressures greater than 35 psi.

3.1 Filter Location

1. Select a well-drained area, one that does not flood when it rains. Damp, non-ventilated areas should be avoided.
2. The filter should be installed on a firm, solid, and level surface or platform to avoid risk of settlement. Do not use sand to level the filter as the sand will wash away; filter systems can weight up to 800 pounds. Check local building codes for additional requirements. (Ex. Equipment pads in Florida must be concrete and equipment must be secured to the pad.)
3. Install electrical controls at least five (5) feet from the filter. This will allow enough room to stand away from the filter during start-up.
4. Allow sufficient clearance around the filter to permit a visual inspection of the clamp ring. See Fig. 2.
5. Allow sufficient space above the filter to remove the filter lid and filter element for cleaning and servicing.
6. Position the filter to safely direct water drainage. Align the air release valve to safely direct purged air or water.

⚠ WARNING

Water discharged from an improperly positioned filter or valve can create an electrical hazard which can cause death, serious injury or property damage.

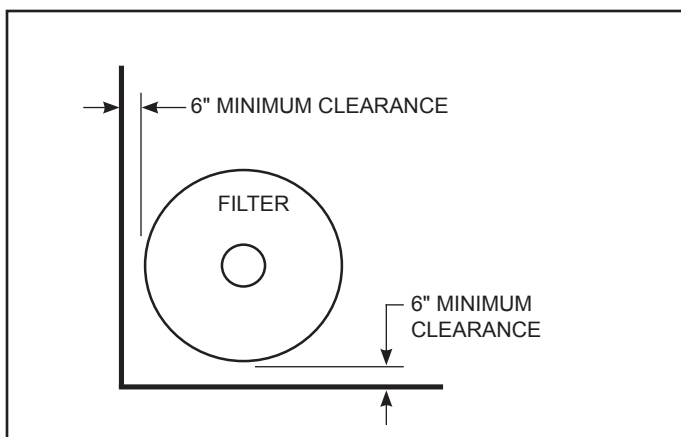


Figure 2. Filter Location

CAUTION

Maintain your pressure gauge in good working order. The pressure gauge is the primary indicator of how the filter is operating.

7. If the filter needs to be located above the water level of the pool, it can be raised 2.5 ft. without affecting the pump efficiency. A check valve is recommended on the suction line to the pump.
8. If the filter is to be installed below the water level of the pool, isolation valves should be installed on both the suction and return lines to prevent back flow of pool water during any routine servicing that may be required.

3.2 Anchor Bracket Installation

In some areas, for example Florida, building codes require that all appliances be securely fastened to the equipment pad in order to withstand high wind pressures created by hurricanes. Zodiac Pool Systems LLC provides an anchor bracket kit for this purpose. Please see the Parts List in Section 9 of this manual for the correct part number. Follow the Anchor Bracket Installation Kit Instructions to attach the brackets to the filter.

NOTE Anchor screws and washers for securing the anchor bracket to the equipment pad are not included with the filter or the anchor bracket kit. Zodiac recommends that a 1/4" x 2 1/4" long stainless steel Tapcon® concrete screw and stainless steel flat washer are used to mount each anchor bracket to the equipment pad. The Tapcon concrete screw meets Florida building code requirements.

After placing the filter on the equipment pad, as outlined in Section 3.1, drill a 5/32" hole in the concrete at each of the four (4) brackets on the filter. (The correct size concrete drill bit should be obtained when the concrete screws are purchased.)

Install the Tapcon screws and washers through each of the four (4) anchor brackets to secure the filter to the equipment pad. See Figure 3. **Do not over-torque the screws.**

3.3 Filter Preparation

1. Check carton for damage due to rough handling in shipment. If carton or any filter components are damaged, notify carrier immediately.
2. Carefully remove the accessory package.
3. A visual inspection of all parts should be made now. See parts list in Section 9.
4. With the carton in an upright position, remove the filter tank from the carton.

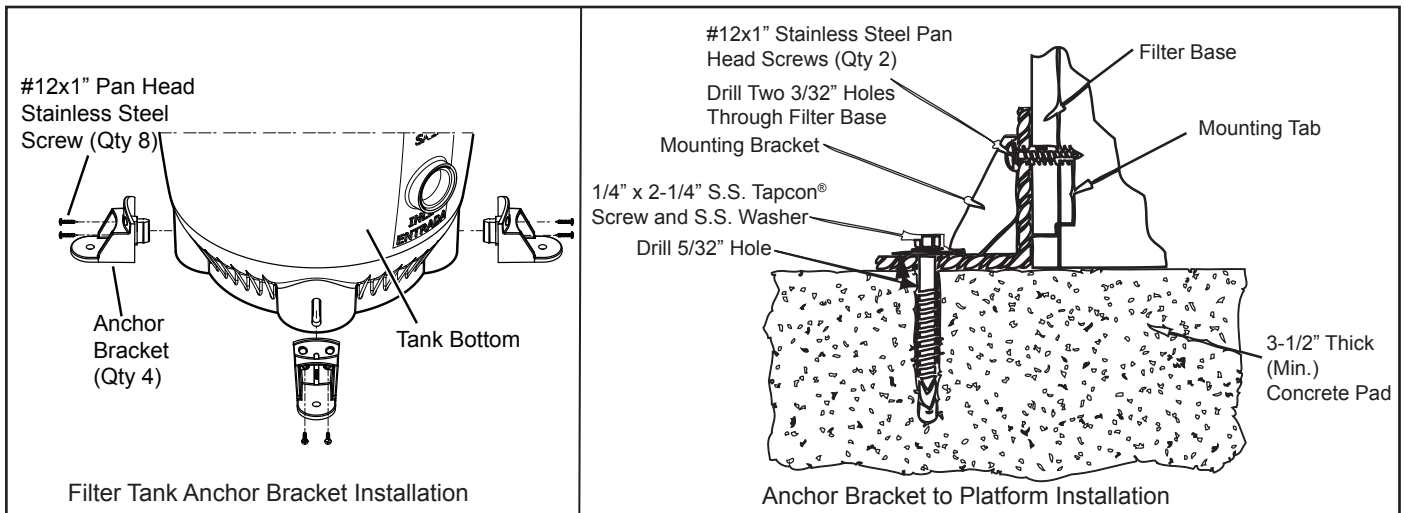


Figure 3. Anchor Bracket Installation

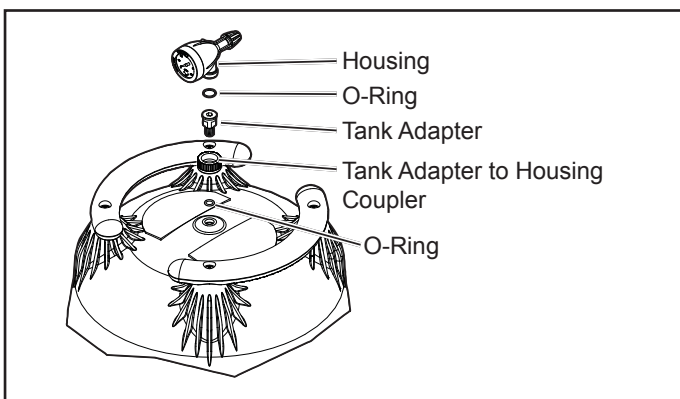


Figure 4. Pressure Gauge/Air Release Assembly

5. To mount the pressure gauge/air release assembly to the top of the filter tank (located in the accessory bag):
 - a. Place the smaller, thicker o-ring onto the threads of the tank adapter, see Figure 4. Slide the tank adapter through the coupling nut and into the filter tank. Use the flats on the tank adapter to tighten. Do not overtighten.
 - b. Place the larger, thinner o-ring onto the gauge housing. Thread the housing into the coupler on the tank adapter.
 - c. Orient the gauge/air release assembly in the desired position. Raise and thread the locknut onto the bottom of the gauge/air release assembly. Hand tighten the nut only. Using a wrench to tighten the nut may damage the nut, gauge or air release assembly.

3.4 Filter Plumbing

1. This filter operates under pressure. When clamped properly and operated without air in the water system, this filter will operate in a safe manner.
2. If the system can be subjected to higher pressure

than the maximum rating of any component, install an ASME® approved automatic pressure relief valve or pressure regulator in the circulation system. Set the relief valve or pressure regulator to lowest working pressure of any of the components in the system.

3. Place the filter on the concrete pad, lined up with the inlet/outlet pipes. See Figures 5 and 5A.
4. To reduce pressure losses, 2" (minimum) piping is recommended for plumbing the system.
5. For best efficiency use the fewest possible number of fittings. This will prevent a restriction in the water flow.
 - 5.1 The CV model filter comes with a Jandy Pro Sweep Elbow for this purpose. The sweep elbow also includes a threaded port and plug so that a 1/2" hose bib can be connected for pressure testing. See Figure 7.
 - 5.2 To install the sweep elbow use the following instructions:

⚠ WARNING

To avoid an electrical shock hazard, which can result in serious injury or death, ensure that all electrical power to the system is turned off before approaching, inspecting or troubleshooting any leaking valves or plumbing that may have caused other electrical devices in the surrounding area to get wet.

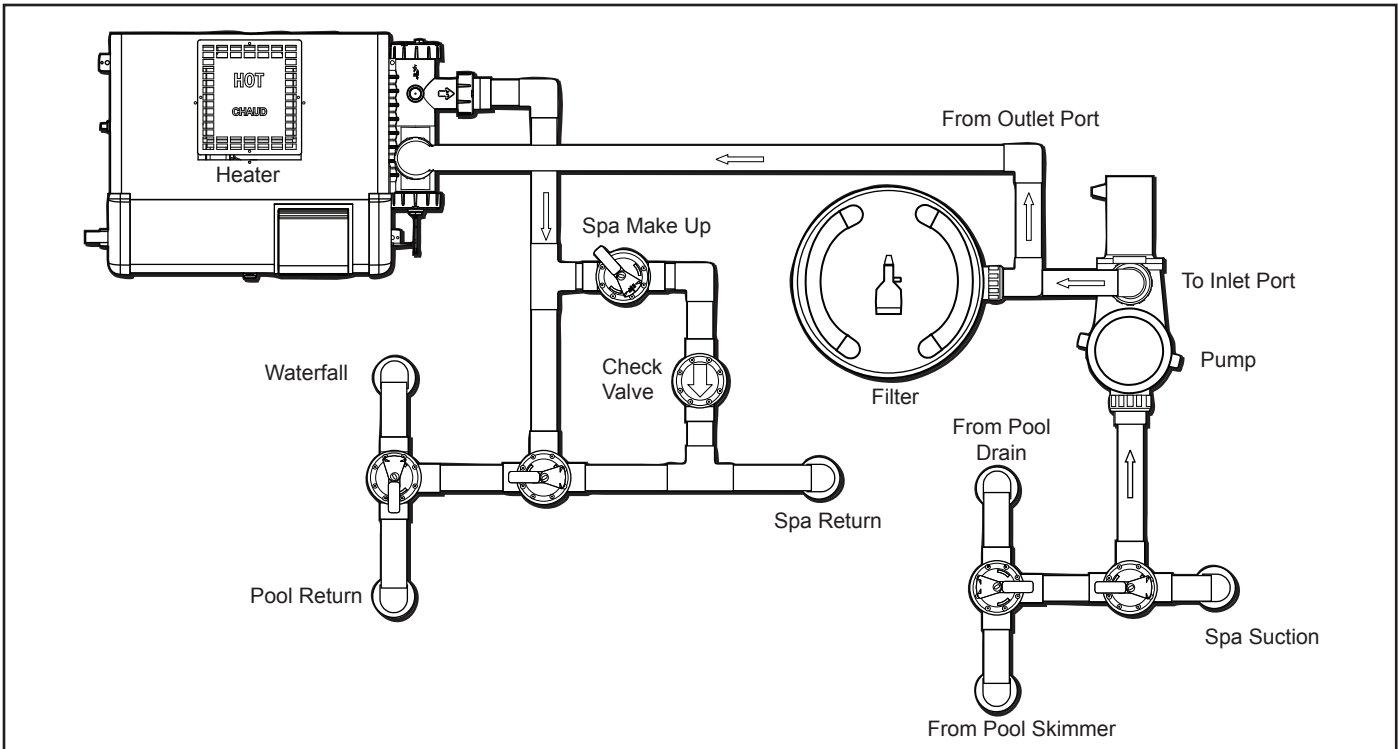


Figure 5. CL Cartridge Filter Plumbing for Pool/Spa Combination

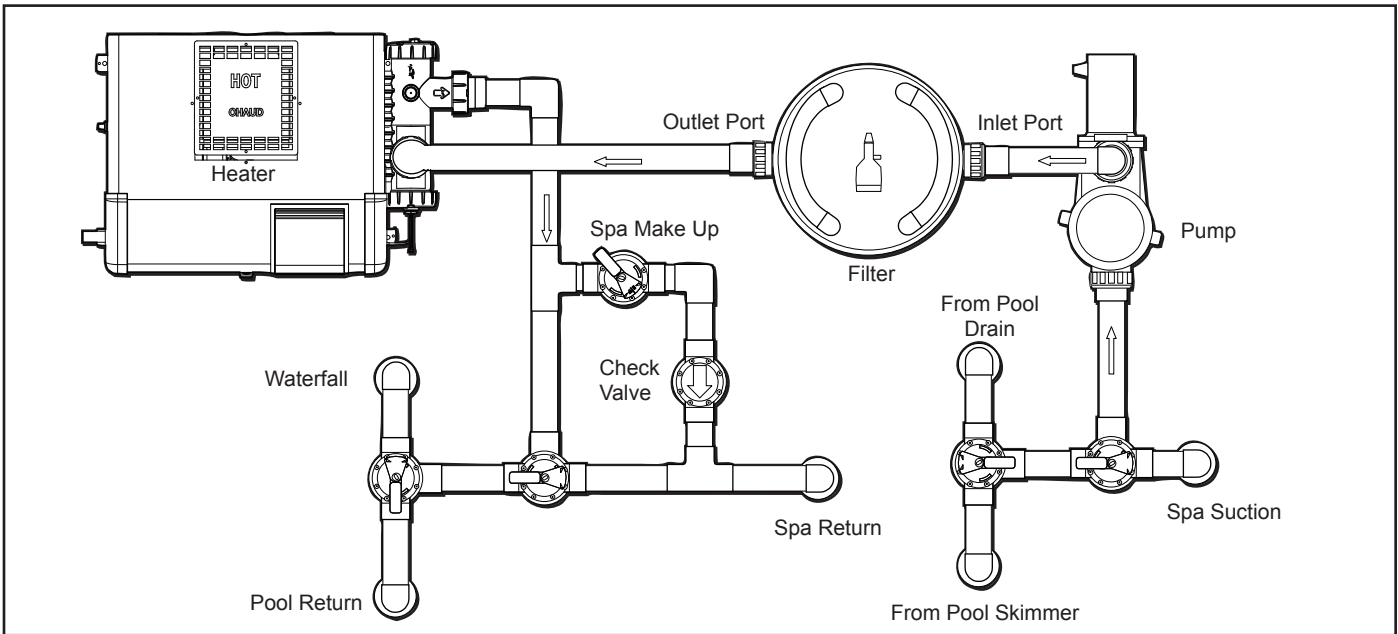


Figure 5A. CV Cartridge Filter Plumbing for Pool/Spa Combination

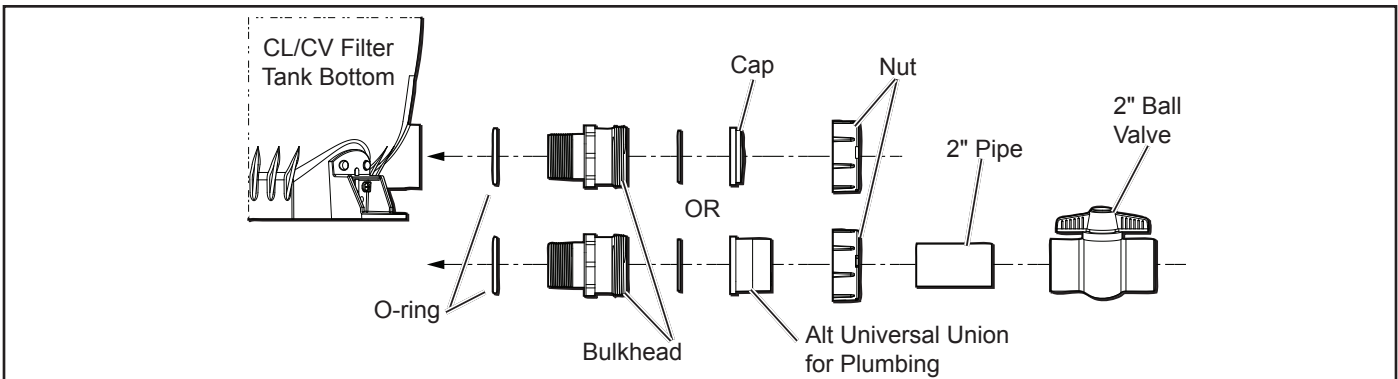


Figure 6. Jandy Pro CL and CV Series Cartridge Filter Drain Configurations

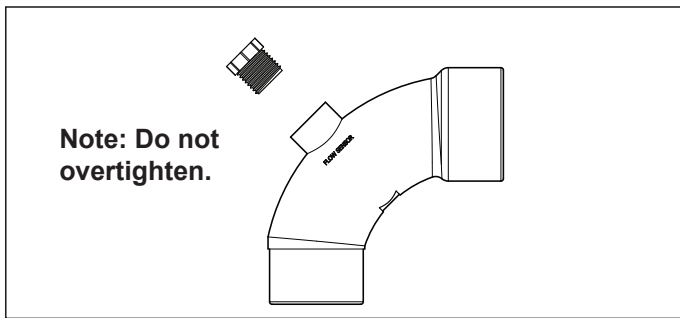


Figure 7. Sweep Elbow

⚠ WARNING



Follow all filter manufacturer's instructions. **NEVER** attempt to assemble, disassemble or adjust the filter when there is pressurized air in the system. Starting the pump while there is any pressurized air in the system can cause product failure or also cause the filter lid to be blown off, which can cause death, serious personal injury or property damage.

- a. Switch off the circuit breaker to the equipment and open the air relief valve on top of the filter (leave it open during this procedure).

NOTE If the filter is below pool level, close the suction and return line valves to isolate the filtration system. Remove the drain plug from the filter. Let the water drain from the filter.

- b. Be sure there is a minimum distance of 7½ inches between the center of the pump outlet port and the filter inlet bulkhead to accommodate the sweep elbow(s). See Figure 8 for recommended installation configuration.

NOTE The SHP pump shown in Figure 8 is for reference only. The Jandy Pro sweep elbow also works with the MHP and PHP series pumps.

NOTE Be sure to use 2" or 2½" schedule 40 PVC pipe.

- c. Clean the cut ends of the pipe and both ends of the sweep elbow(s) with an appropriate NSF® approved All Purpose cleaner/primer. Glue the sweep elbow(s) onto the cut pipe ends using an appropriate All Purpose NSF approved adhesive/glue.

NOTE Zodiac recommends Weld-On 724 PVC to CPVC Cement to glue Schedule 40 PVC.

- d. After the glue is cured, close the pressure relief valve on top of the filter, start the system and check for proper water flow.
6. Make all plumbing connections in accordance with local plumbing and building codes. Filter connections are provided with an o-ring seal. To avoid damage to the o-rings, use only a silicone base lubricant on the o-rings. **Do not use pipe joint compound, glue or solvent on inlet/outlet union coupling nuts.**
7. Keep piping tight and free of leaks. Pump suction line leaks may cause air to be entrapped in filter tank or loss of prime at the pump. Pump discharge line leaks may show up as dampness or jets of water.
8. Support the inlet/outlet pipes independently to prevent any undue strains on the filter valve.
9. Connect the pipes using the unions supplied with the filter. **Do not use Teflon tape or pipe dope on any unions.** Assemble the unions dry and hand tighten. See Figure 6.

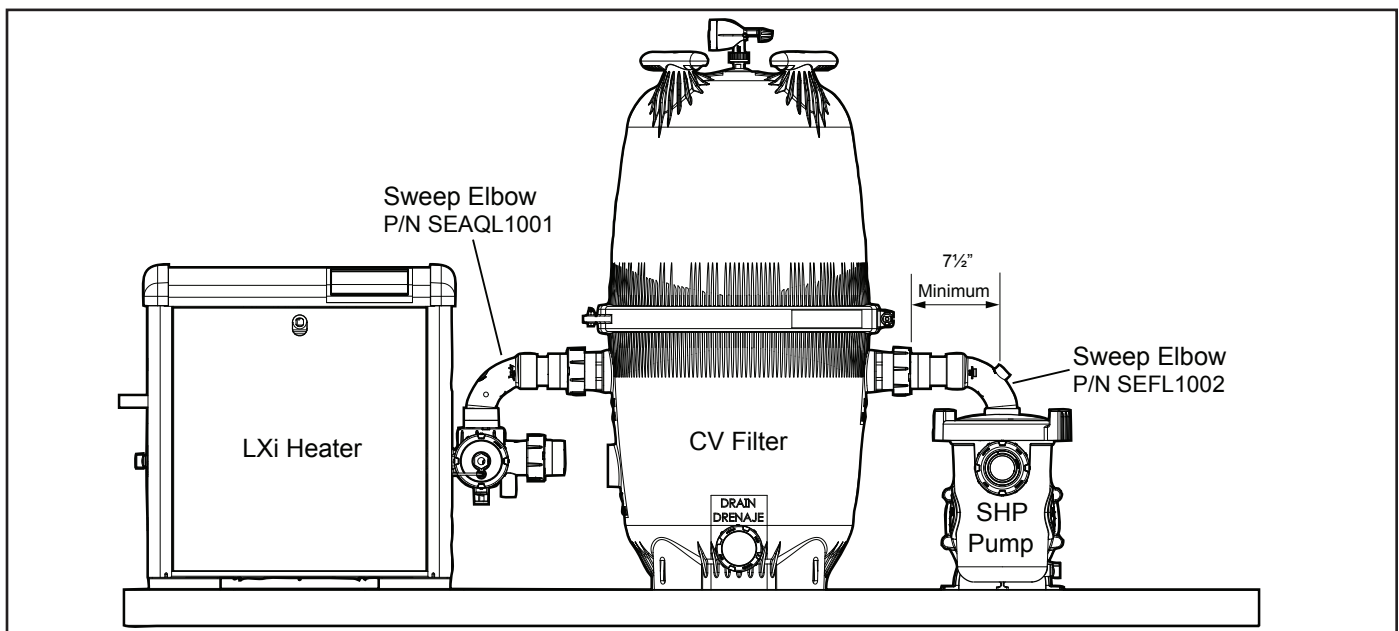


Figure 8. LXi™ Heater, CV Filter and SHP Pump Sweep Elbow Installation

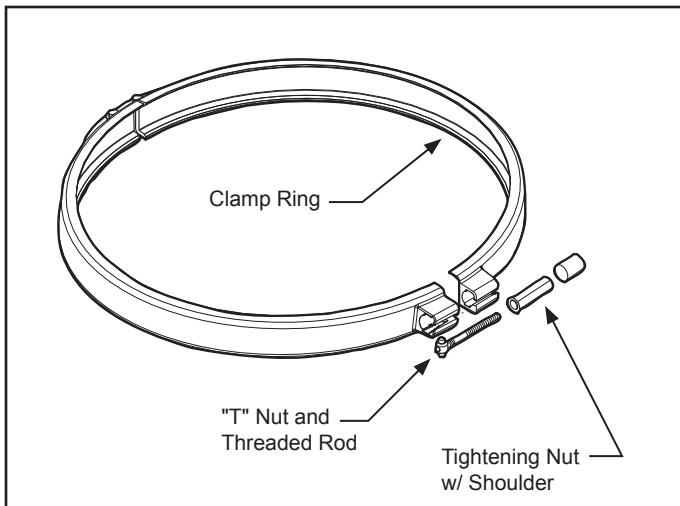


Figure 9. Filter Clamp Ring

10. If desired, the CV filter drain can be plumbed using a Jandy Pro universal union. The plumbing must contain a ball valve as shown in Figure 6.

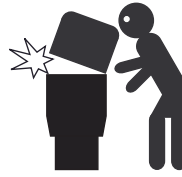
CAUTION

Be sure that all provisions for wastewater disposal meet local, state or national codes. During any draining process, one hundred gallons (100 gals.) or more of pool water will be discharged. CL and CV (Cartridge) Filters are not subject to backwashing. Do not discharge water where it will cause flooding or damage.

3.5 Clamp Installation

1. Be certain the o-ring is in position in the lower tank half. Press the filter lid over the lower half sandwiching the o-ring between the two halves.
2. Holding the ends of the filter clamp apart, position the hinged segment of the filter clamp over both upper and lower tank flanges. Bring the ends of the filter clamp together.
3. Place the "T" nut and threaded rod assembly into the clamp. Be sure the "T" nut is seated in the clamp in the proper orientation. See Fig. 9.
4. Use a 9/16" socket on the tightening nut until the clamp ring halves touch each other, or are within 1/16", see Fig. 9 **but do not overtighten as the clamp can break**. If unable to tighten as indicated, do not operate the filter and **call a service technician immediately**.
5. After the first week of operation, check the clamp and retighten if necessary.
6. Check the filter clamp at least once a month.

⚠ WARNING



Follow these instructions carefully. Improper clamp installation can cause product failure or also cause the filter lid to be blown off, which can result in death, serious personal injury, or property damage.

Section 4. Start-Up and Operation

NOTE This section applies to both new pool and seasonal start-up.

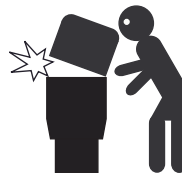
1. Turn off the pump. Switch off the circuit breaker to the pump motor.
2. Check that the drain plug for CL filters or drain cap for CV filters is in place and tight.
3. Check that the tank clamp is correctly seated and tight. See Figs. 9 and 10.

⚠ WARNING



NEVER start pump while standing within five (5) feet of the filter. Starting the pump while there is pressurized air in the system can cause product failure or also cause the filter lid to be blown off, which can cause death, serious personal injury or property damage.

⚠ WARNING



NEVER operate the filter system at more than 50 psi of pressure. Operating the filter system in excess of 50 psi can cause the product failure or also cause filter lid to be blown off, which can cause death, serious personal injury or property damage.

CAUTION

DO NOT operate filter at water temperatures above 105° F (40.6° C). Water temperatures above the manufacturer's recommendations will shorten the life span of the filter and void the warranty.

4. Open the pump hair/lint pot lid and fill the pump basket with water to prime the system. Replace the lid. (You may have to do this several times on new and seasonal start-ups.)
5. Completely open the air release valve on the gauge/air release assembly by turning the knob on the back of the assembly fully counterclockwise (do not remove the knob).

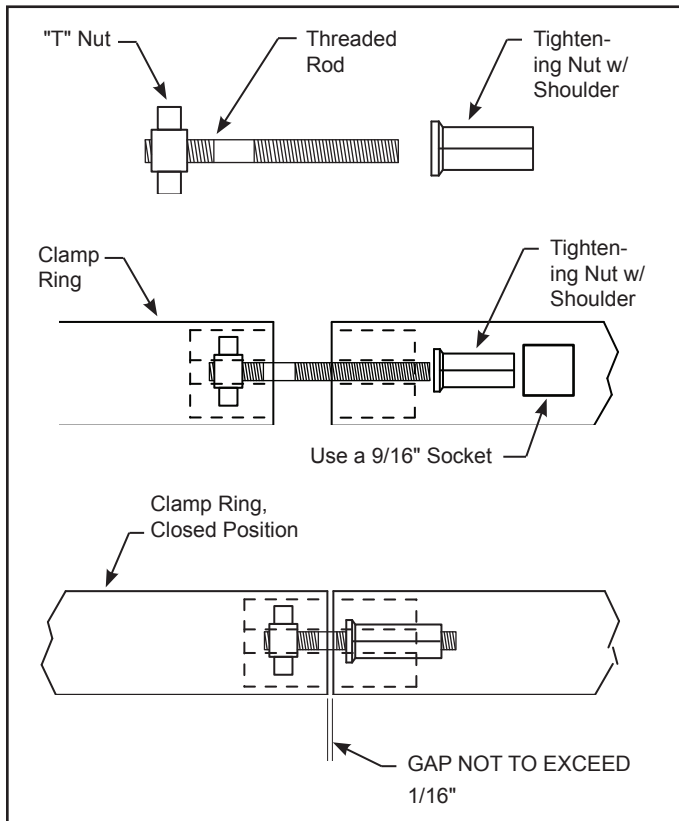


Figure 10. Filter Clamp Ring Assembly

6. Be sure to open any filter isolation valves that were installed in the system.
 7. **Stand clear of the filter** and start the pump to circulate water through the system. When a steady stream of water starts to come out of the air release valve, close the valve.
 8. Watch the pressure gauge to be sure that the pressure does not exceed 50 psi (with clean cartridges). If the pressure approaches 50 psi, immediately turn the pump off and clean the filter cartridges, see Section 6.3. If the pressure remains high after cleaning the filter, refer to the troubleshooting guide in Section 8 for possible causes and solutions.
 9. After the pressure gauge has stabilized, turn the bezel ring so that the arrow next to the word "CLEAN" aligns with the needle of the gauge. As the filter cleans the water, and the cartridges begin to clog the pressure begins to increase. When the needle of the pressure gauge aligns with the arrow next to the word "DIRTY" on the bezel, it is time to clean the filter, see Section 6.3. This indicates an increased pressure of between 10 and 12 psi above original starting pressure.
1. Turn off the pump. Switch off the circuit breaker to the pump motor.
 2. **IMPORTANT: Completely open air release valve on top of the filter tank to release all pressure from inside the tank and system.**
 3. If the equipment is installed below water level, close the filter isolation valves on the system to prevent flooding.
 4. Remove the drain plug located at the bottom of the filter tank and allow the tank to drain.
 5. Replace the drain plug.
 6. Loosen the tank clamp ring retainer and remove the clamp ring.
 7. Remove the top of the filter tank by lifting it straight up until it clears the cartridges on the inside of the tank.
 8. Remove the manifold assembly by lifting it off of the outlet tube and out of the tank.
 9. Pull the cartridges out of the filter tank and clean the cartridge using the instructions in Section 6.3.
 10. Using new cartridges or the clean original ones, place the cartridges back into the filter tank. Be sure that they are correctly seated on the cartridge support on the bottom of the tank.
 11. Inspect the o-ring at the top of the outlet tube for cracks and wear marks. Replace if necessary.
 12. Reinstall the manifold making sure that it fits squarely over the cartridges and outlet tube.
 13. Inspect the tank o-ring for cracks or wear marks. Replace if necessary. Place the o-ring back onto the filter bottom.
 14. Place the filter lid onto the filter tank bottom.
 15. Replace the tank clamp ring. See Section 3.5 for clamp installation.
 16. If applicable, open the valves closed in step 3.
 17. Start the pump by following the procedures outlined in steps 2 through 7 of Section 4.

Section 5. Filter Disassembly and Assembly

⚠ WARNING



Never attempt to assemble, disassemble or adjust the filter when there is pressurized air in the system. Starting the pump while there is any pressurized air in the system can cause product failure or also cause the filter lid to be blown off, which can cause death, serious personal injury or property damage.

Section 6. Maintenance

6.1 General Maintenance

1. Wash outside of filter with a mild detergent and water. Rinse off with a hose. ***Do not use solvents to clean the filter, solvents will damage the plastic components of the filter.***
2. Check pressure during operation at least once a week.
3. Remove any debris from the skimmer basket and hair/lint pot on pump.
4. Check pump and filter for any leaks. If any leaks develop, ***turn off the pump and call a qualified pool service technician.***
5. Product safety signs or labels should be periodically inspected and cleaned by the product user as necessary to maintain good legibility for safe viewing distance.
6. Product safety signs or labels should be replaced by the product user when a person with normal vision, including corrected vision, is no longer able to read the safety signs or label message panel text at a safe viewing distance from the hazard. In cases where the product has an extensive expected life or is exposed to extreme conditions, the product user should contact either the product manufacturer or some other source to determine means for obtaining replacement signs or labels.
7. Installation of new replacement safety signs or labels should be in accordance with the sign or label manufacturer's recommended procedure.

6.2 Pressure Gauge

1. During operation of the filtration system, check the pressure gauge/air release assembly for air or water leaks at least once a week.
2. Keep the pressure gauge in good working order. If you suspect a problem with the gauge, Zodiac recommends you call a service technician to do any work on the filter/pump system.

CAUTION

Maintain your pressure gauge in good working order. The pressure gauge is the primary indicator of how the filter is operating.

6.3 Cleaning the Filter Cartridge

1. Follow the procedures outlined in steps 1 through 8 of Section 5.1 to expose the cartridge elements inside the filter.

2. Remove cartridge elements and place them upright in an area suitable for washing.
3. Use a garden hose and nozzle to wash each pleat of each element.

NOTE Algae, suntan oil, calcium and body oils can form coatings on filter element which may not be removed by normal hosing. To remove such materials, soak the element in de-greaser and then a de-scaler. Your local pool dealer will be able to recommend suitable products.

4. Inspect each cartridge for holes, tears or excessively worn pleats. Replace if necessary.
5. To reassemble the filter with the new or clean cartridges follow the procedure outlined in steps 10 through 16 of Section 5.

Section 7. Winterizing

1. Turn ***off*** the pump and circuit breakers.
2. **Open air release valve** on top of the filter.
3. Remove the drain plug at the base of the filter to ensure that the tank is empty. Store the drain plug and seal in a safe place. Do not reinstall until next season at start-up.
4. Drain system piping of all water.
5. Cover the system with a tarpaulin or plastic sheet to protect it from the weather.

Section 8. Troubleshooting

- For a list of common problems and solutions see the Troubleshooting Guide below.
- Zodiac recommends that you call a service technician to do any work on the filter/pump system. For technical assistance, contact our Technical Support Department at 1.800.822.793.

Table 2. Troubleshooting Guide

| Fault Symptom | Possible Problems | Solutions |
|----------------------------|---|--|
| Water is not clear. | Insufficient disinfectant level. Incorrect pool chemistry. Heavy bathing and/or dirt loads. Insufficient running times. Filter is dirty. Hole in filter element. | Check and adjust disinfectant level. Test and adjust water chemistry. Adjust filter time and/or water chemistry. Increase pump run time. Clean filter cartridges per instructions. Replace cartridge. |
| Low water flow. | Filter system strainer baskets dirty. Air leaks on suction side of pump. Restrictions or blockage in either suction or return lines. Filter cartridges need to be cleaned or replaced. Pool water level too low. Pump not primed. Pump impeller vanes blocked. Strainer baskets not being used and/or broken. (Allow debris into pump.) Pump operating under speed (low voltage). | Check and clean strainer baskets. Check all connections between pool intake and pump. Check all lines for debris or partially closed valves. Clean or replace filter cartridges per instructions. Fill pool so level is above pump inlet line. Fill pump with water at basket and replace lid. Technician required. Replace baskets. Technician or electrician required. |
| Short filter cycles. | Presence of algae clogging filter. Incorrect water chemistry. Pump output exceeds design flow rate of filter. Ineffective cleaning. | Check disinfectant content. Check pH, total alkalinity and TDS. Check pump performance. Clean or replace filter cartridge per instructions. |
| High pressure on start-up. | Small eyeball fitting in Pool/Spa. Partially closed valve on return line. Too large of pump. Filter cartridges dirty. | Replace with larger diameter fitting. Check and fully open all valves on return line. Check pump and filter selection. Clean filter cartridges per instructions. |
| Dirt returns to pool. | Hole in filter cartridge. Worn o-ring seal inside filter. Cracked manifold. | Replace filter cartridge per instructions. Replace o-ring. Replace the manifold assembly. |

Section 9. Parts List and Exploded View

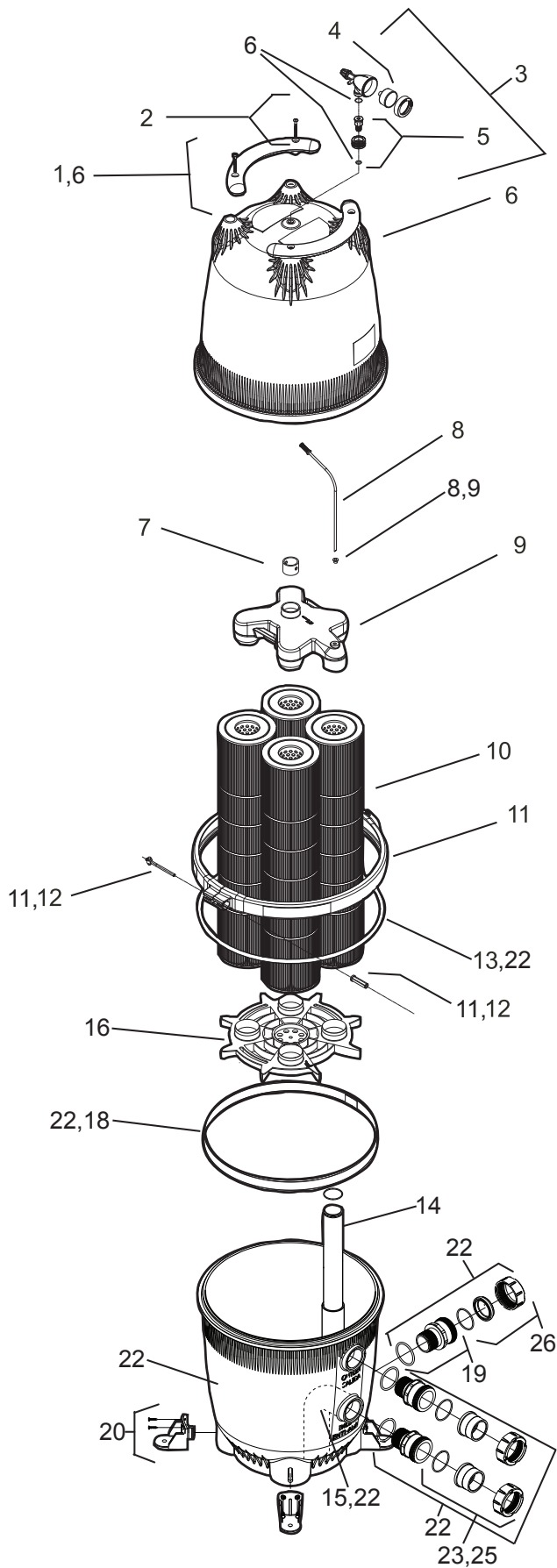
9.1 Jandy Pro CL and CV Cartridge Filter Parts List

| Key No. | Description | Model No. | Part No. |
|---------|---|-----------|----------|
| 1 | Handle Assembly w/ hardware (set of 2) | All | R0357100 |
| 2 | Handle Hardware (set of 4) | All | R0359900 |
| 3 | Gauge/Air Release Assembly | All | R0357200 |
| 4 | Pressure Gauge | All | R0359600 |
| 5 | Tank Adapter w/O-ring & Union Nut | All | R0552000 |
| 6 | Tank Top | 580 | R0357300 |
| | Tank Top | 340,460 | R0554700 |
| 7 | Top Spacer | All | R0357700 |
| 8 | Breather Tube Assembly | All | R0358700 |
| 9 | Manifold Assembly | All | R0357600 |
| 10 | Filter Cartridge, 145 sq. ft. (4 required) | 580 | R0357900 |
| | Filter Cartridge, 115 sq. ft. (4 required) | 460 | R0554600 |
| | Filter Cartridge, 85 sq. ft. (4 required) | 340 | R0554500 |
| 11 | Tank Clamp Ring w/Rod Assembly | All | R0357400 |
| 12 | Threaded Rod and Retainer and Nut | All | R0357500 |
| 13 | Tank O-ring | All | R0357800 |
| 14 | Outlet Tube/Elbow Assembly w/ O-rings | All | R0555100 |
| 15 | Inlet Elbow w/O-ring | All | R0358400 |
| 16 | Filter Cartridge Support | All | R0358500 |
| 17* | O-ring Replacement Kit | All | R0358000 |
| 18 | Ring, Retaining | All | R0405200 |
| 19 | Bulkhead Assembly w/O-ring, CV Filter | All | R0465600 |
| 20 | Anchor Bracket (Qty 4) | All | R0465500 |
| 21 | Tank Bottom Assembly, CV Filter | All | R0465400 |
| 22 | Tank Bottom Assembly, CL Filter | All | R0466500 |
| 23 | Universal Half Unions (Set of 3) and Drain Plug Cap | All | R0461800 |
| 24* | Sweep Elbow | All | SEFL1002 |
| 25 | Universal Half Union (Set of 1) | All | R0522900 |
| 26 | Drain Cap Assembly | All | R0523000 |

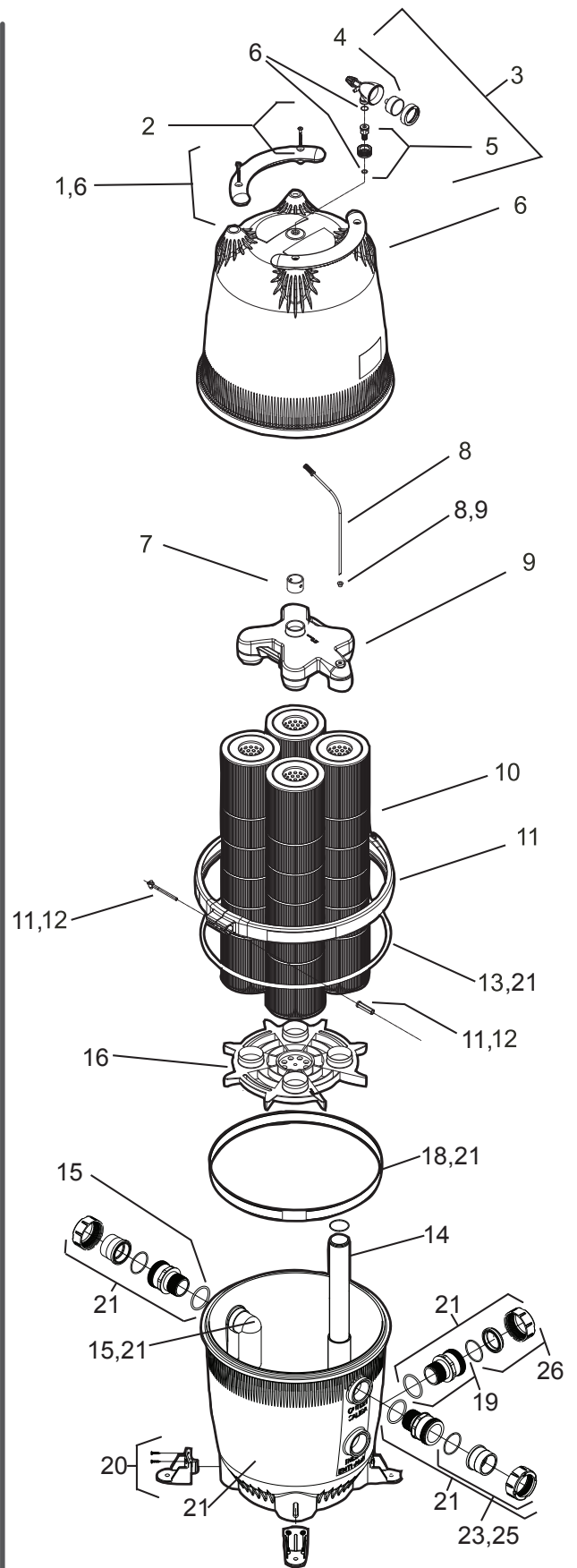
* Parts not shown on key view

9.2 Jandy Pro CL and CV Filters Exploded View

CL Filter

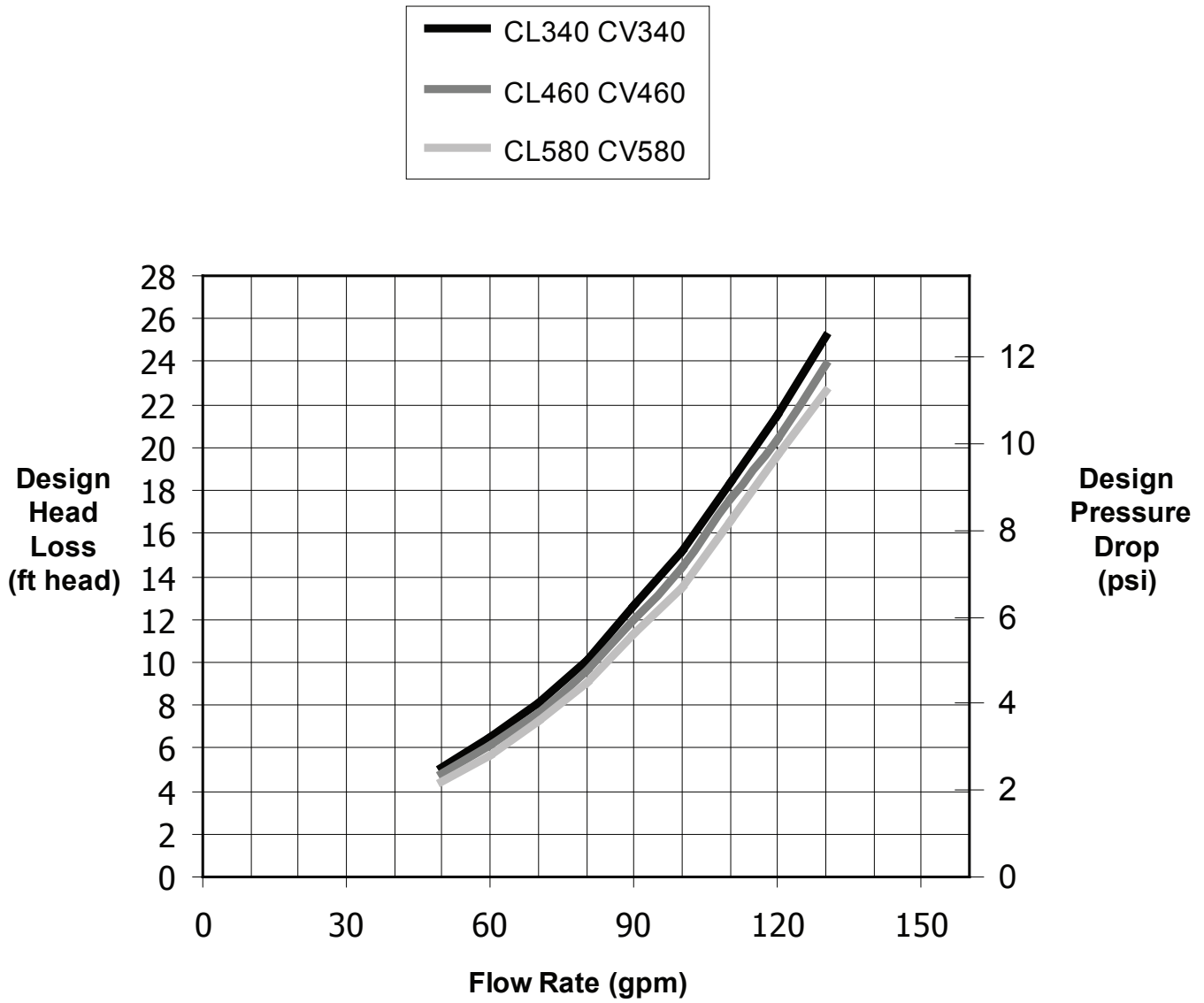


CV Filter



Section 10. Head Loss Curves

10.1 Jandy® Pro CL and CV Cartridge Filter Design Head Loss Curves



Zodiac Pool Systems Canada, Inc.
2-3365 Mainway Burlington, Ontario L7M 1A6
1-888-647-4004 | www.ZodiacPoolSystems.ca

Zodiac Pool Systems LLC
2882 Whiptail Loop East #100, Carlsbad, CA 92010
1.800.822.7933 | www.ZodiacPoolSystems.com

©2019 Zodiac Pool Systems LLC. ZODIAC® is a registered trademark of Zodiac International, S.A.S.U., used under license. All trademarks referenced herein are the property of their respective owners.



MANUEL D'INSTALLATION ET D'UTILISATION

ENGLISH | FRANÇAIS



Jandy® Filtres à cartouche pour piscine CL et CV Versa-Plumb®

⚠ AVERTISSEMENT

POUR VOTRE SÉCURITÉ – L'installation et l'entretien de ce produit doivent être effectués par un technicien autorisé et qualifié pour la réparation des équipements de piscine par les autorités compétentes du territoire dans lequel ledit produit est installé lorsque de telles exigences locales ou provinciales sont édictées. Le responsable de l'entretien doit être un professionnel ayant une expérience suffisante dans l'installation et l'entretien des équipements de piscine de manière à ce que les consignes du présent manuel puissent être suivies à la lettre. Avant d'installer ce produit, lire toutes les consignes de mise en garde et les instructions incluses avec ce produit et respectez-les. Le non-respect des avertissements et des instructions pourrait causer des dommages matériels, des blessures graves ou même un décès. L'installation ou l'utilisation inappropriée annuleront la garantie.



L'installation ou l'utilisation inappropriée peuvent créer un danger électrique indésirable qui peut provoquer des blessures graves, des dommages à la propriété ou la mort.

ATTENTION À L'INSTALLATEUR - Ce manuel contient de l'information importante sur l'installation, le fonctionnement et l'utilisation de ce produit en sécurité. Ces renseignements doivent être donnés au propriétaire ou à l'utilisateur de cet appareil.

Table des matières

| | |
|--|--|
| <p>Section 1. Consignes De Sécurité Importantes 20</p> <p>1.1 Avertissements de sécurité importants..... 20</p> <p>1.2 Consignes générales de sécurité 20</p> <p>Section 2. Informations générales 21</p> <p>2.1 Introduction 21</p> <p>2.2 Description 21</p> <p>2.3 Exigences générales 21</p> <p>2.4 Spécifications et dimensions 21</p> <p>Section 3. Guide d'installation 22</p> <p>3.1 Emplacement du filtre 22</p> <p>3.2 Installation des supports d'ancrage 22</p> <p>3.3 Préparation du filtre 22</p> <p>3.4 Plomberie du filtre 23</p> <p>3.5 Installation du serre-joint 26</p> <p>Section 4. Démarrage et fonctionnement..... 26</p> <p>Section 5. Démontage et montage du filtre 27</p> | <p>Section 6. Entretien 28</p> <p>6.1 Entretien général 28</p> <p>6.2 Manomètre 28</p> <p>6.3 Nettoyage de la cartouche filtre 28</p> <p>Section 7. Hivernage 28</p> <p>Section 8. Dépannage 29</p> <p>Section 9. Liste des pièces et vue éclatée ..30</p> <p>9.1 Liste des pièces des filtres à cartouche CL et CV 30</p> <p>9.2 Vue éclatée des filtres CL et CV 31</p> <p>Section 10. Courbes de perte de charge 32</p> <p>10.1 Courbes de perte de charge des filtres à cartouche CL et CV 32</p> |
|--|--|

FICHE DE RENSEIGNEMENTS SUR L'ÉQUIPEMENT

| | |
|--|----------------------------|
| DATE D'INSTALLATION _____ | |
| INFORMATION SUR L'INSTALLATEUR _____ | |
| LECTURE INITIALE DU MANOMÈTRE (AVEC FILTRE PROPRE) _____ | |
| MODÈLE DE POMPE _____ | PUISSANCE EN CHEVAUX _____ |
| MODÈLE DE FILTRE _____ | NUMÉRO DE SÉRIE _____ |
| REMARQUES : _____ | |
| _____ | |
| _____ | |

Section 1. Consignes De Sécurité Importantes

LIRE ET SUIVRE TOUTES LES CONSIGNES

1.1 Avertissements de sécurité importants



⚠ AVERTISSEMENT

- Ne pas raccorder le système à un réseau urbain de distribution d'eau non réglementé ou à une autre source externe d'eau sous pression produisant des pressions supérieures à 2,4 bars (35 lb/po²).
- L'air sous pression dans le système peut provoquer un mauvais fonctionnement du produit ou faire sauter le couvercle du filtre, ce qui pourrait causer des blessures graves, voire la mort, ou des dommages matériels. S'assurer que tout l'air est purgé du système avant de faire fonctionner ou de tester l'équipement.



⚠ AVERTISSEMENT

LA PRESSION DE FONCTIONNEMENT DU FILTRE EST DE 3,4 BARS (50 LB/PO²). NE JAMAIS SOUMETTRE LE FILTRE À UNE PRESSION DE FONCTIONNEMENT SUPÉRIEURE À 3,4 BARS (50 LB/PO²).

Ce filtre fonctionne sous haute pression. Lorsque toute partie du système de circulation, c'est-à-dire le filtre, la pompe, les soupapes, le serre-joint, etc., font l'objet d'un entretien, l'air peut entrer dans le système et devenir sous pression au moment du redémarrage. L'air sous pression peut provoquer un mauvais fonctionnement du produit ou faire sauter le couvercle du filtre, ce qui pourrait causer des blessures graves, voire la mort, ou des dommages matériels. Pour éviter ce danger potentiel, suivre toutes les consignes du présent manuel.



⚠ AVERTISSEMENT

Pour réduire les risques de blessures graves, voire de mort, le filtre et/ou la pompe ne doivent pas être soumis au test de mise sous pression du système de tuyauterie.

Les codes locaux peuvent exiger l'application d'un essai de pression au système de tuyauterie de la piscine. Ces exigences ne s'appliquent généralement pas à l'équipement de piscine, tel que les filtres ou les pompes.

L'équipement de piscine Série Jandy Pro est soumis à l'essai de pression en usine.

Toutefois, si cet AVERTISSEMENT ne peut pas être respecté et que le test de mise sous pression du système de tuyauterie doit inclure le filtre et/ou la pompe, S'ASSURER QUE LES CONSIGNES DE SÉCURITÉ SUIVANTES SONT RESPECTÉES :

- Vérifier que tous les serre-joints, les boulons, les couvercles, les anneaux de blocage et les accessoires du système sont correctement installés et fixés solidement avant d'effectuer un test.
- **PURGER TOUT L'AIR** du système avant d'effectuer le test.
- La pression d'eau pour le test NE DOIT PAS DÉPASSER 2,4 BARS (35 LB/PO²).
- La température de l'eau pour le test NE DOIT PAS DÉPASSER 38 °C (100 °F).
- Limiter le test à 24 heures. Après le test, vérifier visuellement le système pour s'assurer qu'il est prêt à fonctionner.

Avis : Ces paramètres s'appliquent à l'équipement Série Jandy Pro uniquement. Pour l'équipement non fabriqué par Jandy, consulter le fabricant de l'équipement.

1.2 Consignes générales de sécurité



A L'ATTENTION DE L'INSTALLATEUR :

Ce guide contient des renseignements importants concernant l'installation, le fonctionnement et les consignes de sécurité pour ce produit. Ces renseignements doivent être donnés au propriétaire/à l'opérateur de cet équipement.

1. Utiliser l'équipement uniquement dans une piscine ou un spa.
2. Avant de repositionner les soupapes et de commencer la pose, le retrait ou le réglage du serre-joint ou tout autre entretien du système de circulation : (A) désactiver la pompe et fermer toutes les commandes automatiques pour s'assurer que le système ne va pas démarrer par inadvertance pendant l'entretien, (B) ouvrir le purgeur d'air, (C) attendre que la pression s'atténue (l'air aura cessé de circuler en provenance de la soupape).
3. À chaque installation du serre-joint du filtre, suivre la Section 3.5 du présent manuel, « Installation du serre-joint ».
4. Une fois que l'entretien du système de circulation est terminé, suivre la Section 4, « Démarrage et fonctionnement ».
5. Faire l'entretien approprié du système de circulation. Remplacer immédiatement les pièces usées ou endommagées.
6. S'assurer que le filtre est correctement installé et positionné selon ces consignes d'installation.
7. Ne pas soumettre à une pression de test supérieure à 2,4 bars (35lb/po²). Le test de pression doit être fait par un professionnel de piscines qualifié.

CONSERVER CES CONSIGNES.

Section 2. Informations générales

2.1 Introduction

Ce manuel contient des informations sur l'installation et le fonctionnement des filtres à cartouche des séries CL et CV Jandy. Les procédures de ce manuel doivent être scrupuleusement suivies. Pour toute assistance technique, veuillez contacter notre service de soutien technique au +1 (800) 822-7933.

2.2 Description

Les filtres à cartouche ne nécessitent pas de sable ou de terre de diatomées comme substrat filtrant. Au lieu de cela, le filtre comporte des éléments filtrants qui s'enlèvent facilement pour le nettoyage ou le remplacement.

L'eau sale circule vers le réservoir du filtre par la conduite d'eau qui est raccordée à la cloison inférieure (admission) sur la moitié inférieure du boîtier du réservoir. Elle est dirigée à travers la cartouche filtre à l'intérieur du filtre. Les débris sont collectés dans le filtre, et l'eau propre s'écoule du filtre à travers la cloison supérieure (sortie) sur la moitié inférieure du boîtier du réservoir. L'eau propre est retournée à travers le système de tuyauterie de la piscine.

Au fur et à mesure que les débris s'accumuleront dans le filtre, la pression augmentera et le débit d'eau de la piscine diminuera. Le filtre deviendra éventuellement tellement obstrué par les débris qu'il faudra retirer les cartouches filtres et les nettoyer avec du savon et de l'eau.

REMARQUE Un filtre élimine la saleté et autres particules en suspension, mais ne désinfecte pas la piscine. L'eau de piscine doit être désinfectée et chimiquement équilibrée pour avoir une eau claire. Le système de filtration doit être conçu pour répondre aux codes sanitaires locaux. Au minimum, le système devrait renouveler le volume total d'eau dans la piscine deux (2) à quatre (4) fois par période de 24 heures.

2.3 Exigences générales

1. Pour de meilleures performances globales, placer le système le plus près possible de la piscine.
2. Le filtre doit être situé sur une dalle plate en béton afin que l'orientation de la sortie des soupapes et du manomètre soit pratique et accessible pour l'installation et le fonctionnement de l'appareil.
3. Protéger le filtre contre les intempéries.
4. Si un chlrorateur et/ou tout autre appareil est installé dans le circuit de plomberie de filtration, le plus grand soin doit être accordé pour s'assurer que l'appareil est installé conformément aux consignes du fabricant et aux normes en vigueur qui peuvent exister.
5. Nous recommandons l'utilisation d'un raccord à baril pour brancher chaque composante du système de conditionnement d'eau afin d'en faciliter l'entretien futur. Les raccords à baril sont fournis avec tous les filtres Jandy.

⚠ AVERTISSEMENT

La pression maximale de fonctionnement de ce filtre est de 3,4 bars (lb/po²). Ne jamais soumettre le filtre à une pression de fonctionnement supérieure à 3,4 bars (50 lb/po²). Les pressions de fonctionnement supérieures à 3,4 bars (50 lb/po²) peuvent entraîner un mauvais fonctionnement du produit ou faire sauter le couvercle, ce qui pourrait causer des blessures graves, voire la mort, ou des dommages matériels.

6. Pour les tests de pression hydrostatique ou les tests de fuite externe du système de filtration et de plomberie, s'assurer que la pression maximale à laquelle le système de filtration est soumis *ne dépasse pas la pression maximale de fonctionnement de l'un des composantes du système.*

2.4 Spécifications et dimensions

Voir le Tableau 1 et la Figure 1.

Tableau 1. Spécifications du filtre à cartouche

| CL / CV | 340 | 460 | 580 |
|---|------------------|------------------|------------------|
| Surface filtrante m ² (ft ²) | 31,6 (340) | 42,7 (460) | 53,9 (580) |
| Débit max. lpm (gpm) | 481 (127) | 568 (150) | 568 (150) |
| Capacité de six heures litres (gal) | 173 069 (45 720) | 204 412 (54 000) | 204 412 (54 000) |
| Pression max. de fonctionnement bar (lb/po ²) | 3,4 (50) | 3,4 (50) | 3,4 (50) |
| Pression normale de démarrage bar (lb/po ²) | 0,4-1,0 (6-15) | 0,4-1,0 (6-15) | 0,4-1,0 (6-15) |
| Dimension « A » | 102,5 cm (41 po) | 102,5 cm (41 po) | 117,5 cm (47 po) |

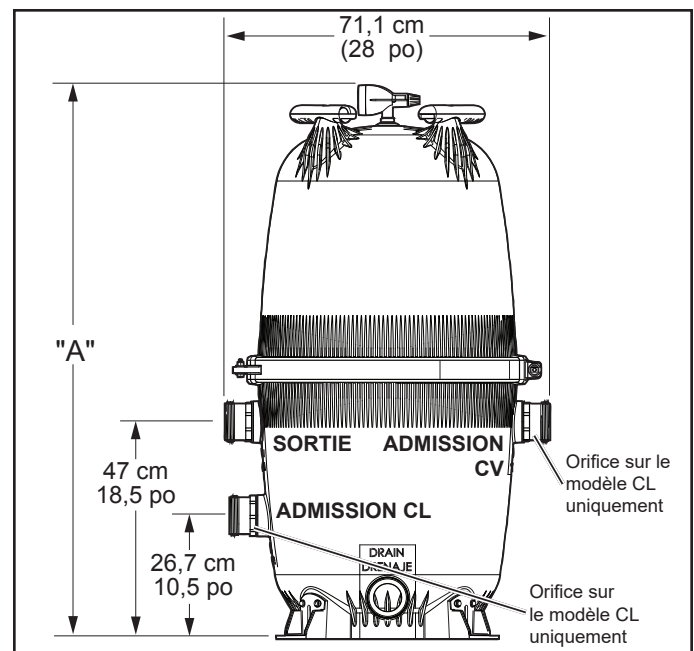


Figure 1. Dimensions, Filtres à cartouche des séries CL et CV Jandy

Section 3. Guide d'installation

⚠ AVERTISSEMENT

Utiliser l'équipement uniquement une piscine ou un spa. Ne pas raccorder le système à un réseau urbain de distribution d'eau non réglementé ou à une autre source externe d'eau sous pression produisant des pressions supérieures à 2,4 bars (35 lb/po²).

3.1 Emplacement du filtre

1. Choisir un emplacement bien drainé, un endroit qui ne subit pas d'inondation quand il pleut. Les zones humides, non ventilées doivent être évitées.
2. Le filtre doit être installé sur une surface ou une plate-forme ferme, solide et plane pour éviter tout risque de tassement. N'utilisez pas de sable pour mettre le filtre à niveau, car le sable sera éliminé, les systèmes de filtrage pouvant peser jusqu'à 800 livres. Vérifiez les codes du bâtiment locaux pour les exigences supplémentaires. (Ex. Les supports d'équipement en Floride doivent être en béton et l'équipement doit être fixé au support.)
3. Installer les commandes électriques à au moins 1,5 m (5 pieds du filtre). Cela laissera suffisamment d'espace pour rester à l'écart du filtre au moment du démarrage.
4. Laisser un espace suffisant autour du filtre pour permettre une inspection visuelle l'anneau du serre-joint. Voir la Fig. 2.
5. Laisser suffisamment d'espace au-dessus du filtre pour pouvoir retirer le couvercle du filtre et l'élément filtrant lors du nettoyage et de l'entretien.
6. Positionner le filtre de manière à diriger la vidange de l'eau en toute sécurité. Aligner le purgeur d'air de manière à diriger l'air ou l'eau purgés en toute sécurité.

⚠ AVERTISSEMENT

L'eau rejetée par un filtre ou une soupape mal positionnés peut créer un danger électrique, pouvant causer des blessures graves, voire la mort, ou des dommages matériels.

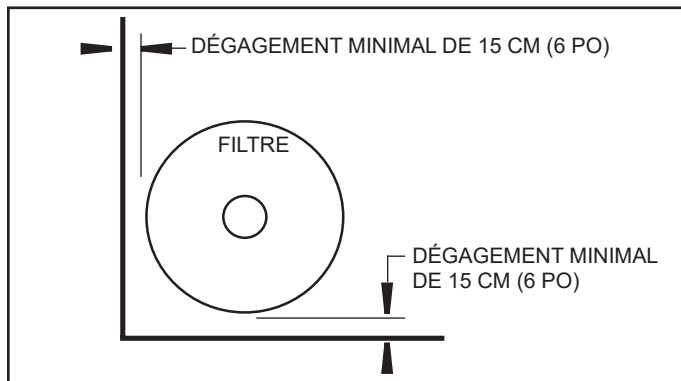


Figure 2. Emplacement du filtre

ATTENTION

Maintenir le manomètre à la bonne pression de fonctionnement. Le manomètre est le principal indicateur de la façon dont le filtre fonctionne.

7. Si le filtre doit être situé au-dessus du niveau de l'eau de la piscine, il peut être surélevé de 0,76 m (2,5 pi) sans affecter l'efficacité de la pompe. Un clapet antiretour est recommandé dans la conduite d'aspiration vers la pompe.
8. Si le filtre doit être installé au-dessous du niveau de l'eau de la piscine, des soupapes d'isolement doivent être installées sur les conduites d'aspiration et de retour pour empêcher le refoulement de l'eau de piscine au cours d'un entretien de routine qui pourrait s'avérer nécessaire.

3.2 Installation des supports d'ancrage

À certains endroits, par exemple en Floride, les codes du bâtiment exigent que tous les appareils soient fixés solidement au sol afin de résister aux pressions du vent créées par les ouragans. Zodiac Pool Systems LLC fournit un ensemble de support d'ancrage à cette fin. Veuillez voir la liste des pièces à la Section 9 du présent manuel pour obtenir le numéro correct de la pièce. Suivre les consignes sur l'installation du support d'ancrage pour fixer les supports au filtre.

REMARQUE Les vis d'ancrage et les rondelles pour fixer le support d'ancrage à la dalle de béton ne sont pas incluses avec le filtre ou l'ensemble support d'ancrage. Zodiac recommande qu'une vis et une rondelle en acier inoxydable à béton de ¼ po x 2 ¼ po Tapcon® soient utilisées pour fixer chaque support d'ancrage à la dalle de béton. La vis à béton Tapcon répond aux exigences du code du bâtiment de la Floride.

Après avoir placé le filtre sur la dalle de béton, tel que décrit à la Section 3.1, percer un trou de 5/32 po dans le béton à chacun des quatre (4) supports du filtre. (La mèche de taille appropriée pour béton doit être obtenue lorsque les vis à béton sont achetées.)

Installer les vis et les rondelles Tapcon sur chacun des quatre (4) supports d'ancrage pour fixer le filtre à la dalle de béton. Voir la Figure 3. **Ne pas trop serrer les vis.**

3.3 Préparation du filtre

1. Vérifier que le carton n'a pas été endommagé par une manutention inappropriée au moment de l'expédition. Si le carton ou tout composant du filtre est endommagé, informer immédiatement le transporteur.
2. Retirer soigneusement l'emballage d'accessoires.
3. Une inspection visuelle de toutes les pièces devrait être effectuée à ce moment-ci. Voir la liste des pièces à la Section 9.

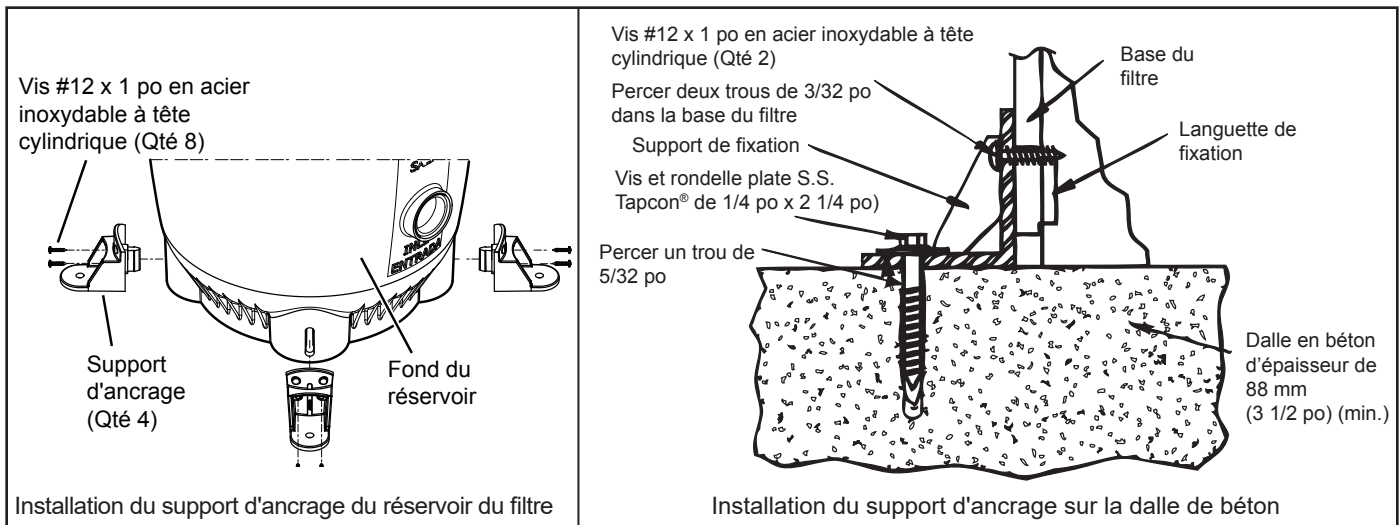


Figure 3. Installation du support d'ancrage

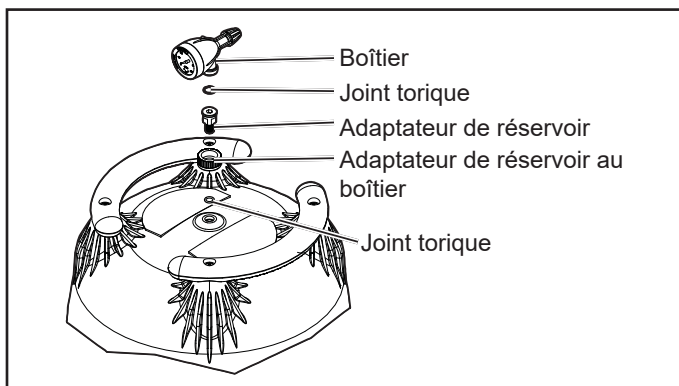


Figure 4. Ensemble manomètre/purgeur d'air

4. Avec le carton en position verticale, retirer le réservoir du filtre de la boîte.
5. Pour fixer l'ensemble manomètre/purgeur d'air à la partie supérieure du réservoir du filtre (situé dans le sac d'accessoires) :
 - a. Placer le joint torique plus petit et plus épais sur le filetage de l'adaptateur de réservoir, voir la Figure 4. Faire glisser l'adaptateur du réservoir à travers l'écrou d'accouplement, dans le réservoir du filtre. Utiliser les rondelles plates sur l'adaptateur du réservoir pour serrer. Ne pas trop serrer.
 - b. Placer le joint torique plus grand et plus mince sur le boîtier du manomètre. Visser le boîtier sur le raccord de l'adaptateur du réservoir.
 - c. Orienter l'ensemble manomètre/purgeur d'air à la position désirée. Soulever et visser le contre-écrou sur la partie inférieure de l'ensemble manomètre/purgeur d'air. Serrer à la main l'écrou uniquement. L'utilisation d'une clé pour serrer l'écrou pourrait endommager l'écrou ou l'ensemble manomètre/purgeur d'air.

3.4 Plomberie du filtre

1. Ce filtre fonctionne sous pression. Lorsqu'il est serré de façon appropriée et qu'il n'y a pas

d'air dans le système hydraulique, ce filtre fonctionnera d'une manière sécuritaire.

2. Si le système peut être soumis à des pressions plus élevées que la pression de fonctionnement maximale d'une composante de puissance nominale la plus faible, installer un purgeur d'air automatique ou un régulateur de pression, approuvé par la norme ASME®, dans le système de circulation. Régler le purgeur d'air ou le régulateur de pression sur la pression de fonctionnement la plus faible des composantes du système.
3. Placer le filtre sur la dalle en béton, aligné avec les tuyaux d'admission et de sortie. Voir les Figures 5 et 5A.
4. Pour réduire les pertes de pression, une tuyauterie de 5 cm (2 po) (minimum) est recommandée pour le système de plomberie.
5. Pour une meilleure efficacité, utiliser le moins de raccords possible. Ceci permettra d'éviter une restriction du débit d'eau.
 - 5.1 Le modèle de filtre CV est livré avec un coude élargi Jandy prévu à cet effet. Le coude élargi comprend également un orifice fileté et un bouchon de manière à ce qu'un boyau d'arrosage de 1/2 po puisse être raccordé pour les tests de pression. Voir la Figure 7.
 - 5.2 Pour installer le coude élargi, suivre les consignes suivantes :

⚠ AVERTISSEMENT

Pour éviter un risque de choc électrique, qui pourrait causer des blessures graves, voire la mort, s'assurer que l'alimentation électrique du système est éteinte avant de s'approcher, d'inspecter ou d'effectuer le dépannage de toute soupape qui fuit ou de la plomberie qui auraient pu avoir mouillé d'autres appareils électriques à proximité.

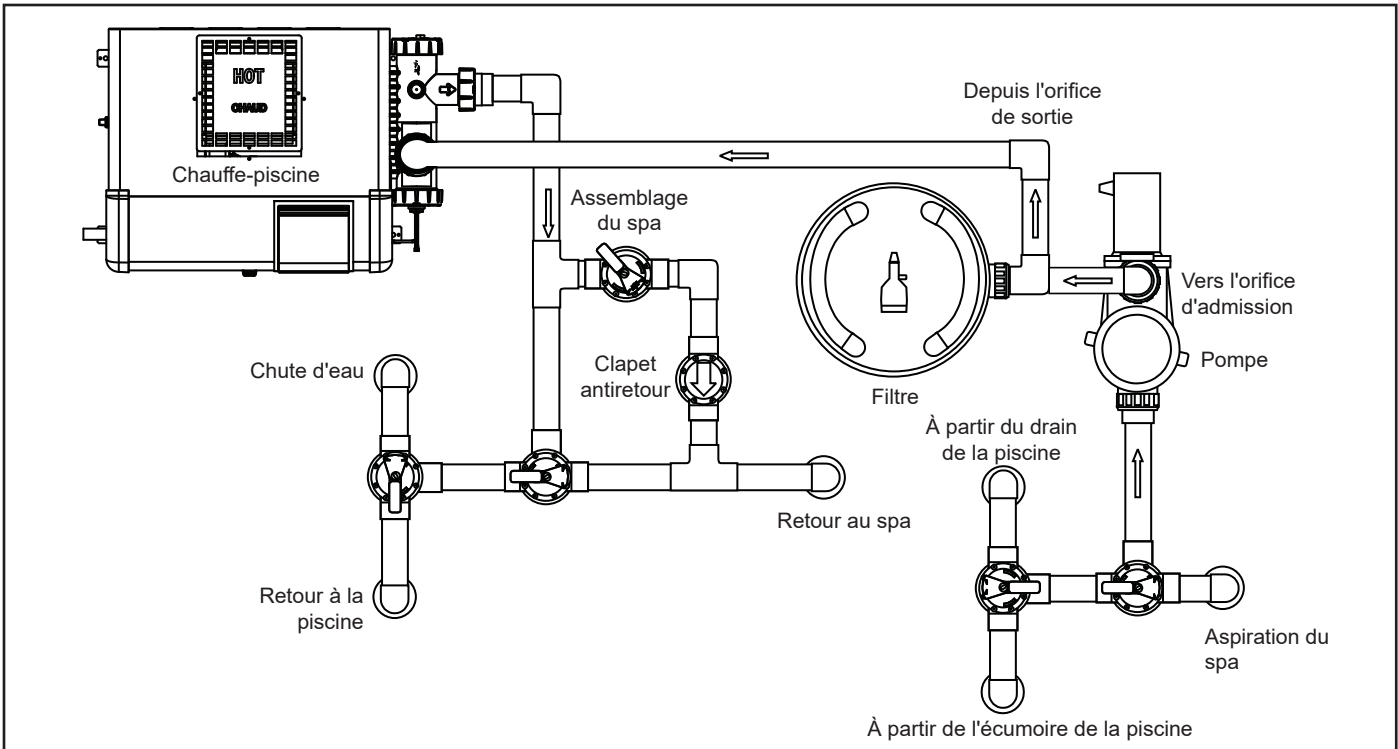


Figure 5. Plomberie de filtre à cartouche CL pour systèmes mixtes piscine/spa

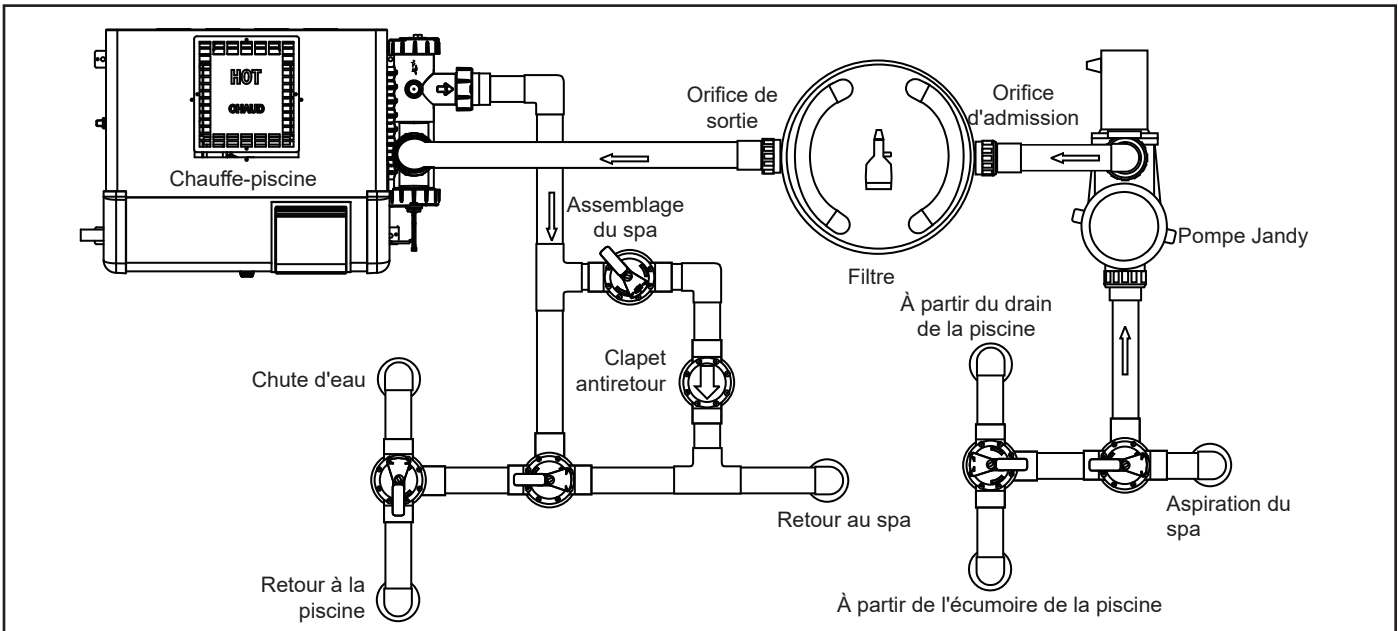


Figure 5A. Plomberie de filtre à cartouche CV pour systèmes mixtes piscine/spa

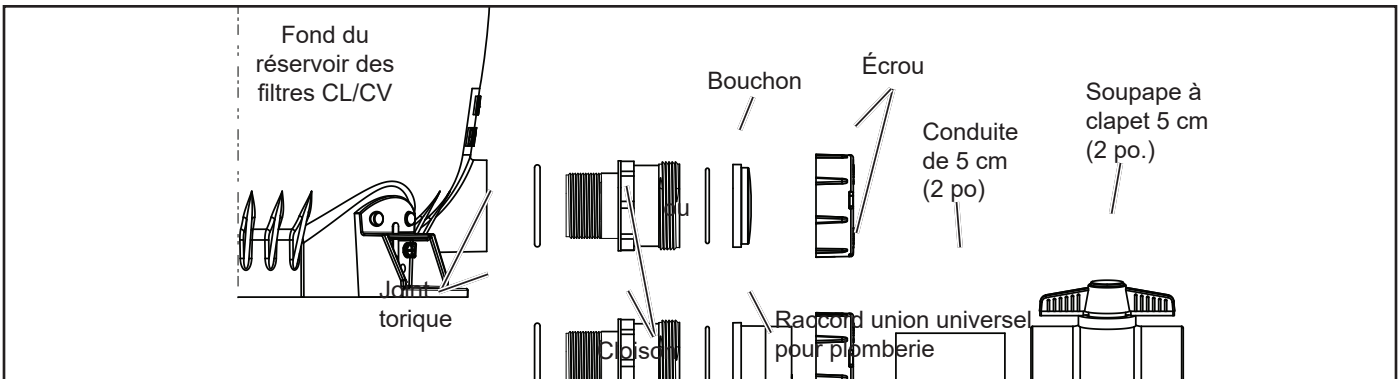


Figure 6. Configurations du drain des filtres à cartouche séries CL/CV Jandy

⚠ AVERTISSEMENT



Suivre toutes les directives des fabricants de filtres. Ne JAMAIS essayer d'assembler, de démonter ou d'ajuster le filtre quand il y a de l'air sous pression dans le système. Le démarrage de la pompe pendant qu'il y a de l'air sous pression dans le système peut provoquer un mauvais fonctionnement du produit ou faire sauter le couvercle du filtre, ce qui pourrait causer des blessures graves, voire la mort, ou des dommages matériels.

- a. Couper le disjoncteur vers l'équipement et ouvrir le purgeur d'air sur le dessus du filtre (le laisser ouvert durant cette procédure).

REMARQUE Si le filtre est au-dessous du niveau d'eau de la piscine, fermer les soupapes des conduites d'aspiration et de retour pour isoler le système de filtration. Retirer le bouchon de vidange du filtre. Laisser couler l'eau du filtre.

- b. S'assurer qu'il y a une distance minimale de 18,75 cm (7 ½ pouces) entre le centre de l'orifice de sortie de la pompe et la paroi du filtre d'entrée pour accueillir le(s) coude(s) élargé(s). Voir la Figure 8 pour la configuration d'installation recommandée.

REMARQUE La pompe SHP illustrée à la Figure 8 est à titre de référence seulement. Le coude élargé Jandy est compatible également avec les pompes des séries MHP et PHP.

REMARQUE Veuillez utiliser un tuyau en PVC de série 40 de 2 ou 2 ½ po.

- c. Nettoyer les extrémités coupées du tuyau et les deux extrémités du(des) coude(s) élargé(s) avec un nettoyeur/apprêt tout usage approuvés par NSF®. Coller le(s) coude(s) élargé(s) sur les extrémités coupées du tuyau à l'aide d'un adhésif/d'une colle approuvés par NSF.

Remarque :
Ne pas trop serrer.

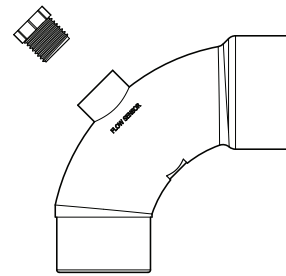


Figure 7. Coude élargé

REMARQUE : Zodiac recommande de souder le raccord PVC 724 au ciment du CPVC pour coller le tuyau de PVC de série 40.

- d. Une fois que la colle a séché, fermer le purgeur d'air sur le dessus du filtre, démarrer le système et vérifier que le débit d'eau est approprié.
6. Utiliser des raccords de plomberie en conformité avec les codes de plomberie et de construction locaux. Les raccords du filtre sont fournis avec un joint torique. Pour éviter d'endommager les joints toriques, utiliser uniquement un lubrifiant à base de silicone sur les joints toriques. **Ne pas utiliser de pâte à joint, de colle ou de solvant sur les écrous d'accouplement des raccords unions d'admission/de sortie.**
7. Maintenir la tuyauterie étanche et exempt de fuites. La pompe d'aspiration pourrait causer une entrée d'air dans le réservoir du filtre ou une perte d'amorçage de la pompe. Les fuites sur la conduite de refoulement de la pompe peuvent apparaître sous forme d'humidité ou de jet d'eau.
8. Supporter les tuyaux d'admission/de sortie de façon indépendante pour éviter toute pression excessive sur la soupape du filtre.
9. Raccorder les tuyaux à l'aide des raccords unions fournis avec le filtre. **Ne pas utiliser du ruban en Téflon ou de la pâte à joint sur les raccords unions.** Poser les raccords unions secs et serrer à la main. Voir la Figure 6.

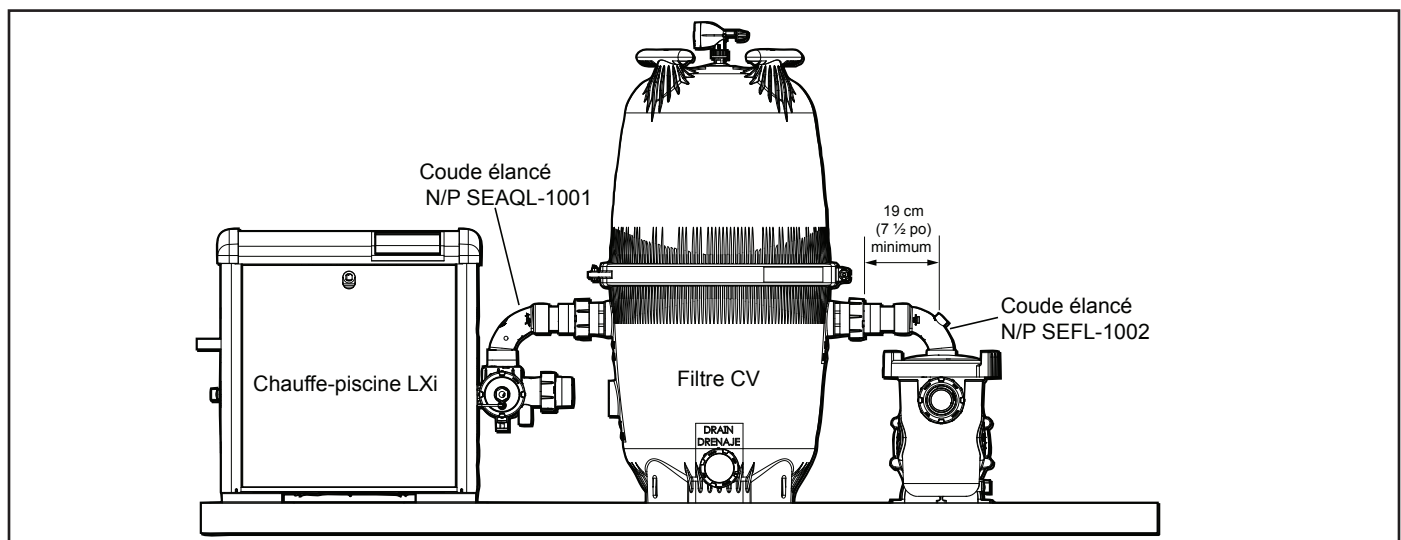


Figure 8. Chauffe-piscine LXI, Installation du filtre CV et du coude élargé de la pompe SHP

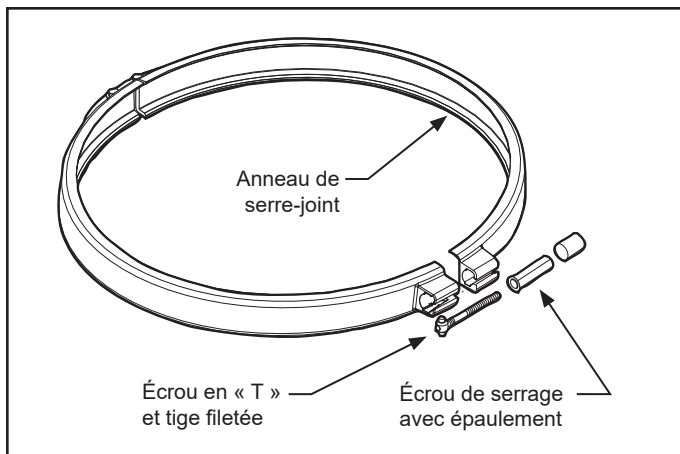


Figure 9. Anneau de serre-joint du filtre

- Si cela est souhaité, le drain du filtre CV peut être branchée à l'aide d'un raccord union universel Jandy. La plomberie doit comporter une soupape à clapet, tel qu'indiqué à la Figure 6.

⚠ AVERTISSEMENT

S'assurer que toutes les dispositions pour l'évacuation des eaux usées sont conformes aux codes locaux, provinciaux ou nationaux. Au cours du processus de vidange, 319 litres (100 gallons) ou plus d'eau de piscine seront déversés. Les filtres CL et CV (cartouche) ne sont pas soumis à un lavage à contre-courant. Ne pas déverser l'eau là où elle pourrait causer une inondation ou des dommages.

3.5 Installation du serre-joint

- S'assurer que le joint torique est en place sur la partie inférieure du réservoir. Exercer une pression sur le couvercle du filtre sur la partie inférieure, en plaçant le joint torique entre les deux parties.
- Tenant les extrémités du serre-joint du filtre séparées, positionner l'élément à charnière du serre-joint du filtre sur les brides supérieure et inférieure du réservoir. Ramener les extrémités du serre-joint du filtre ensemble.
- Placer l'ensemble écrou en « T » et tige filetée sur le serre-joint. S'assurer que l'écrou en « T » est placé sur le serre-joint selon l'orientation appropriée. Voir la Fig. 9.
- Utiliser une douille de 9/16 po sur l'écrou de serrage jusqu'à ce que les deux moitiés du serre-joint se touchent ou sont à 1/16 po l'une de l'autre, voir la Fig. 9, **mais ne pas trop serrer, car le serre-joint peut se briser.** S'il n'est pas possible de serrer, tel qu'indiqué, ne pas faire fonctionner le filtre et **faire venir immédiatement un technicien d'entretien.**
- Après la première semaine de fonctionnement, vérifier le serre-joint et resserrer, s'il y a lieu.

- Vérifier le serre-joint du filtre au moins une fois par mois.

⚠ AVERTISSEMENT



Suivre attentivement ces consignes. Une installation inappropriée du serre-joint peut provoquer un mauvais fonctionnement du produit ou faire sauter le couvercle du filtre, ce qui pourrait causer des blessures graves, voire la mort, ou des dommages matériels.

Section 4. Démarrage et fonctionnement

REMARQUE La présente section s'applique à la fois pour le démarrage pour une nouvelle piscine et le démarrage après hivernage.

- Couper la pompe. Fermer le disjoncteur du moteur de la pompe.
- Vérifier que le bouchon de vidange des filtres CL ou celui des filtres CV sont en place et bien serrés.
- Vérifier que le serre-joint du réservoir est correctement placé et serré Voir les fig. 9 et 10.

⚠ AVERTISSEMENT



NE JAMAIS se placer à moins de 1,50 m (cinq (5) pieds) du filtre pour faire démarrer la pompe. Le démarrage de la pompe alors qu'il y a de l'air sous pression dans le système peut entraîner un mauvais fonctionnement du produit ou faire sauter le couvercle du filtre, ce qui pourrait causer des blessures graves, voire la mort, ou des dommages matériels.

⚠ AVERTISSEMENT



NE JAMAIS faire fonctionner le système de filtration à plus de 3,4 bars (50 lb/po²) de pression. Le fonctionnement du système de filtration au-delà de 3,4 bars (50 lb/po²) peut provoquer un mauvais fonctionnement du produit ou faire sauter le couvercle du filtre, ce qui pourrait causer des blessures graves, voire la mort, ou des dommages matériels.

ATTENTION

NE PAS faire fonctionner le filtre à des températures d'eau supérieures à 105 °F (40,6 °C). L'utilisation de températures de l'eau supérieures aux recommandations du fabricant réduira la durée de vie du filtre et annulera la garantie.

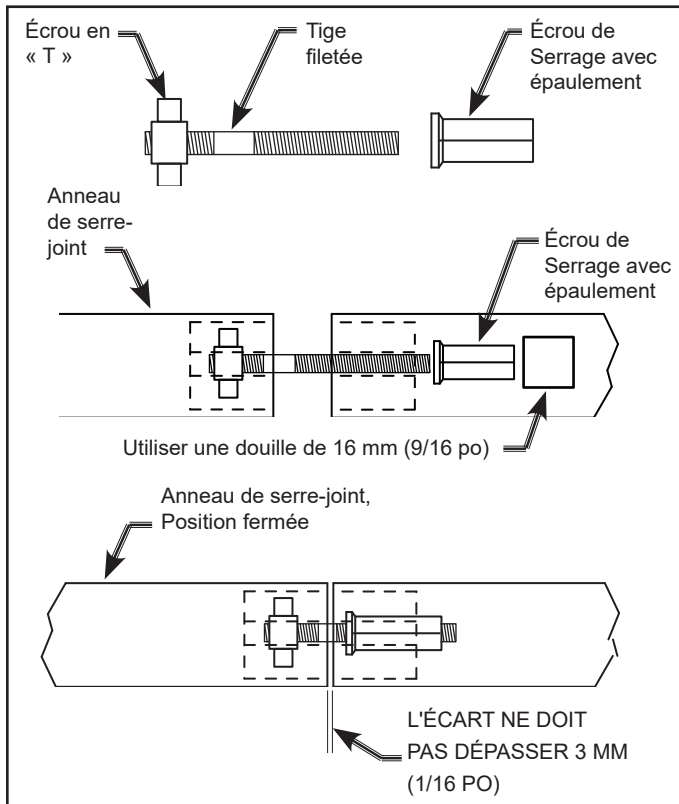


Figure 10. Ensemble anneau de serre-joint du filtre

4. Ouvrir le couvercle du panier de la pompe et remplir le panier de la pompe avec de l'eau pour amorcer le système. Replacer le couvercle. (Vous aurez à le faire plusieurs fois pour les démarrages pour une nouvelle piscine et après l'hivernage.)
 5. Ouvrir complètement le purgeur d'air sur l'ensemble manomètre/purgeur d'air en tournant dans le sens antihoraire le bouton situé à l'arrière de l'ensemble (ne pas retirer le bouton).
 6. S'assurer d'ouvrir les soupapes d'isolement du filtre installées dans le système.
 7. **Se tenir éloigné du filtre** et démarrer la pompe pour faire circuler l'eau dans le système. Lorsqu'un jet régulier d'eau commence à sortir du purgeur d'air, fermer la soupape.
 8. Regarder le manomètre pour s'assurer que la pression ne dépasse pas 3,4 bars (50 lb/po²) (avec les cartouches propres). Si la pression approche les 3,4 bars (50 lb/po²), éteindre immédiatement la pompe et nettoyer les cartouches filtres, voir la Section 6.3. Si la pression reste élevée après le nettoyage du filtre, consulter le guide de dépannage, Section 8, pour les causes et les solutions possibles.
 9. Une fois que le manomètre est stabilisé, aligner la couronne de manière à ce que la flèche à côté du mot « CLEAN » (PROPRE) s'aligne avec l'aiguille du manomètre. Au fur et à mesure que le filtre nettoie l'eau et que les cartouches commencent à se boucher, la pression commence à augmenter.
1. Couper la pompe. Fermer le disjoncteur du moteur de la pompe.
 2. **IMPORTANT : Ouvrir totalement le purgeur d'air sur le dessus du réservoir du filtre pour purger toute pression à l'intérieur du réservoir et du système.**
 3. Si l'équipement est installé au-dessous du niveau de l'eau, fermer les soupapes d'isolement du filtre sur le système pour empêcher une inondation.
 4. Retirer le bouchon de vidange situé au fond du réservoir du filtre et laisser le réservoir se vider.
 5. Replacer le bouchon de vidange.
 6. Desserrer l'anneau de retenue du serre-joint du réservoir et retirer l'anneau du serre-joint.
 7. Retirer le couvercle du dessus du réservoir du filtre en le soulevant verticalement vers le haut jusqu'à ce qu'il soit dégagé des cartouches à l'intérieur du réservoir.
 8. Retirer l'ensemble collecteur en le soulevant du tuyau de sortie et hors du réservoir.
 9. Tirer les cartouches hors du réservoir du filtre et les nettoyer en suivant les consignes indiquées à la Section 6.3.
 10. Utiliser des cartouches neuves ou les cartouches nettoyées, et les placer dans le réservoir du filtre. S'assurer qu'elles sont bien en place sur leur support, au fond du réservoir.
 11. Inspecter le joint torique au-dessus du tuyau de sortie pour la présence de fissures et de marques d'usure. Remplacer si nécessaire.
 12. Réinstaller le collecteur en s'assurant qu'il s'adapte parfaitement aux cartouches et au tuyau de sortie.

Lorsque l'aiguille du manomètre s'aligne avec la flèche située à côté du mot « DIRTY » (SALE) sur la couronne, il faut nettoyer le filtre (voir la Section 6.3). Cela indique une augmentation de la pression entre 0,69-0,83 bar (10 et 12 lb/po²) au-dessus de la pression de démarrage initiale.

⚠ AVERTISSEMENT



Ne jamais essayer d'assembler, de démonter ou d'ajuster le filtre quand il y a de l'air sous pression dans le système. Le démarrage de la pompe pendant qu'il y a de l'air sous pression dans le système peut provoquer le mauvais fonctionnement du produit ou faire sauter le couvercle du filtre, ce qui pourrait causer des blessures graves, voire la mort, ou des dommages matériels.

Section 5. Démontage et montage du filtre

13. Inspecter le joint torique du réservoir pour la présence de fissures et de marques d'usure. Remplacer si nécessaire. Replacer le joint torique au fond du filtre.
14. Placer le couvercle du filtre sur la base du réservoir du filtre.
15. Replacer le serre-joint du réservoir. Voir la Section 3.5 pour l'installation du serre-joint.
16. Le cas échéant, ouvrir les soupapes qui avaient été fermées à l'étape 3.
17. Démarrer la pompe en suivant les procédures décrites aux étapes 2 à 7 de la Section 4.

Section 6. Entretien

6.1 Entretien général

1. Laver l'extérieur du filtre avec un détergent doux et de l'eau. Rincer avec un boyau d'arrosage. **Ne pas utiliser de solvant ou de détergent pour nettoyer le filtre, les solvants endommageront les composants en plastique du filtre.**
2. Vérifier la pression pendant le fonctionnement au moins une fois par semaine.
3. Retirer les débris de l'écumoire et du panier de la pompe.
4. Vérifier la pompe et le filtre pour la présence de fuites. Si une fuite a lieu, **arrêter la pompe et faire venir un technicien qualifié en entretien de piscines..**
5. Les écriteaux et les étiquettes de sécurité du produit doivent être inspectés périodiquement et nettoyés par l'utilisateur du produit de manière à maintenir une bonne lisibilité à une distance sécuritaire.
6. Les écriteaux ou les étiquettes de sécurité du produit doivent être remplacés par l'utilisateur du produit lorsqu'une personne ayant une vision normale, y compris une vision corrigée, n'est plus en mesure de lire le texte du message sur les écriteaux ou les étiquettes de sécurité à une distance sécuritaire pour éviter tout danger. Dans les cas où le produit aurait une durée de vie prolongée prévue ou est exposé à des conditions extrêmes, l'utilisateur du produit devrait communiquer avec le fabricant du produit ou toute autre source appropriée pour déterminer les moyens d'obtenir des écriteaux ou des étiquettes de remplacement.
7. L'installation de nouveaux écriteaux et étiquettes de sécurité de remplacement doit être effectuée en conformité avec la procédure recommandée par le fabricant des écriteaux et des étiquettes.

6.2 Manomètre

ATTENTION

Maintenir le manomètre en bon état de fonctionnement. Le manomètre est le principal indicateur de la façon dont le filtre fonctionne.

1. Pendant le fonctionnement du système de filtration, vérifier l'ensemble manomètre/purgeur d'air au moins une fois par semaine pour déceler toute fuite d'air ou d'eau.
2. Maintenir le manomètre en bon état de fonctionnement. Si vous pensez que le manomètre ne fonctionne pas correctement, Zodiac vous recommande de faire appel à un technicien en entretien pour effectuer toute réparation sur le système de filtre/pompe.

6.3 Nettoyage de la cartouche filtre

1. Suivre les procédures décrites aux étapes 1 à 8 de la Section 5.1 pour exposer les éléments de la cartouche à l'intérieur du filtre.
2. Retirer les éléments de la cartouche et les placer à la verticale dans un espace convenable pour le lavage.
3. Utiliser un boyau d'arrosage et une buse pour laver chaque pli de l'élément.

REMARQUE Les algues, l'huile de bronzage, le calcaire et les huiles pour le corps peuvent former des dépôts sur l'élément filtrant qui ne pourront peut-être pas être éliminés par le jet d'eau normal du lavage. Pour enlever ces matières, faire tremper l'élément dans un solvant de dégraissage, puis un détartrant. Votre boutique locale de produits pour piscines sera en mesure de recommander des produits appropriés.

4. Inspecter chaque cartouche pour la présence de trous, de déchirures ou de plis excessivement usés. Remplacer si nécessaire.
5. Pour réassembler le filtre avec les nouvelles cartouches les cartouches nettoyées, suivre la procédure décrite aux étapes 10 à 16 de la Section 5.

Section 7. Hivernage

1. Désactiver la pompe et **couper les** disjoncteurs.
2. **Ouvrir le purgeur d'air** sur le dessus du filtre.
3. Retirer le bouchon de vidange à la base du filtre pour s'assurer que le réservoir est vide. Ranger le bouchon de vidange et le joint torique dans un endroit sûr. Ne pas réinstaller jusqu'à la saison prochaine, au moment du démarrage.
4. Vidanger tous les tuyaux d'eau du système.
5. Couvrir le système avec une bâche ou un drap en plastique pour le protéger des intempéries.

Section 8. Dépannage

1. Pour la liste des problèmes communs et des solutions, voir le Guide de dépannage ci-dessous.
2. Zodiac recommande de faire appel à un technicien qualifié en entretien pour effectuer toute réparation sur le système de filtre/pompe. Pour toute assistance technique, veuillez contacter notre service de soutien technique au +1 (800) 822-7933.

Tableau 2. Guide de dépannage

| Symptôme du problème | Problèmes possibles | Solutions |
|-------------------------------------|---|---|
| L'eau n'est pas claire. | Niveau insuffisant de désinfectant. Chimie de l'eau de la piscine incorrecte. Nombreux baigneurs et/ou charges sales. Temps insuffisant de fonctionnement. Le filtre est sale. Trou dans l'élément filtrant. | Vérifier et ajuster le niveau de désinfectant. Faire un test et ajuster la chimie de l'eau. Régler le temps de filtrage et/ou la chimie de l'eau. Augmenter la durée de fonctionnement de la pompe. Nettoyer les cartouches filtres selon les consignes. Remplacer la cartouche. |
| Faible débit d'eau. | Paniers du système de filtration sales. Fuites d'air sur le côté aspiration de la pompe. Occlusion ou blocage dans l'une des conduites d'aspiration ou de retour. Cartouches filtres à nettoyer ou à remplacer. Niveau de l'eau de la piscine trop bas. Pompe non amorcée. Pales de la turbine de la pompe bloquées. Paniers du tamis non utilisés et/ou brisés. (Permet aux débris d'aller dans la pompe.) Pompe fonctionnant à vitesse réduite (basse tension). | Vérifier et nettoyer les paniers du tamis. Vérifier tous les raccordements entre la prise d'air de la piscine et la pompe. Vérifier toutes les conduites pour la présence de débris ou pour cas de soupape partiellement fermée. Nettoyer ou remplacer les cartouches filtres selon les consignes. Remplir la piscine de manière à ce que le niveau soit au-dessus de la conduite d'admission de la pompe. Remplir la pompe pour qu'il y ait de l'eau dans le panier, puis replacer le couvercle. Technicien nécessaire. Remplacer les paniers. Technicien ou électricien nécessaire. |
| Cycles de filtrage courts. | Présence d'algues qui bouchent le filtre. Chimie incorrecte de l'eau. Le débit de la pompe dépasse le débit nominal du filtre. Nettoyage inefficace. | Vérifier le contenu du désinfectant. Vérifier le pH, l'alcalinité totale et le MDT. Vérifier le rendement de la pompe. Nettoyer ou remplacer la cartouche filtre selon les consignes. |
| Haute pression au démarrage. | Petite buse à rotule des retours d'eau dans la piscine ou le spa. Soupape partiellement fermée sur la conduite de retour. Pompe trop puissante. Cartouches filtres sales. | Remplacer par une buse à rotule de plus grand diamètre. Vérifier et ouvrir complètement toutes les soupapes sur la conduite de retour. Vérifier la sélection de la pompe et du filtre. Nettoyer les cartouches filtres selon les consignes. |
| La saleté retourne dans la piscine. | Trou dans la cartouche filtre. Joint torique usé à l'intérieur du filtre. Collecteur fissuré. | Remplacer la cartouche filtre selon les consignes. Remplacer le joint torique. Remplacer l'ensemble collecteur. |

Section 9. Liste des pièces et vue éclatée

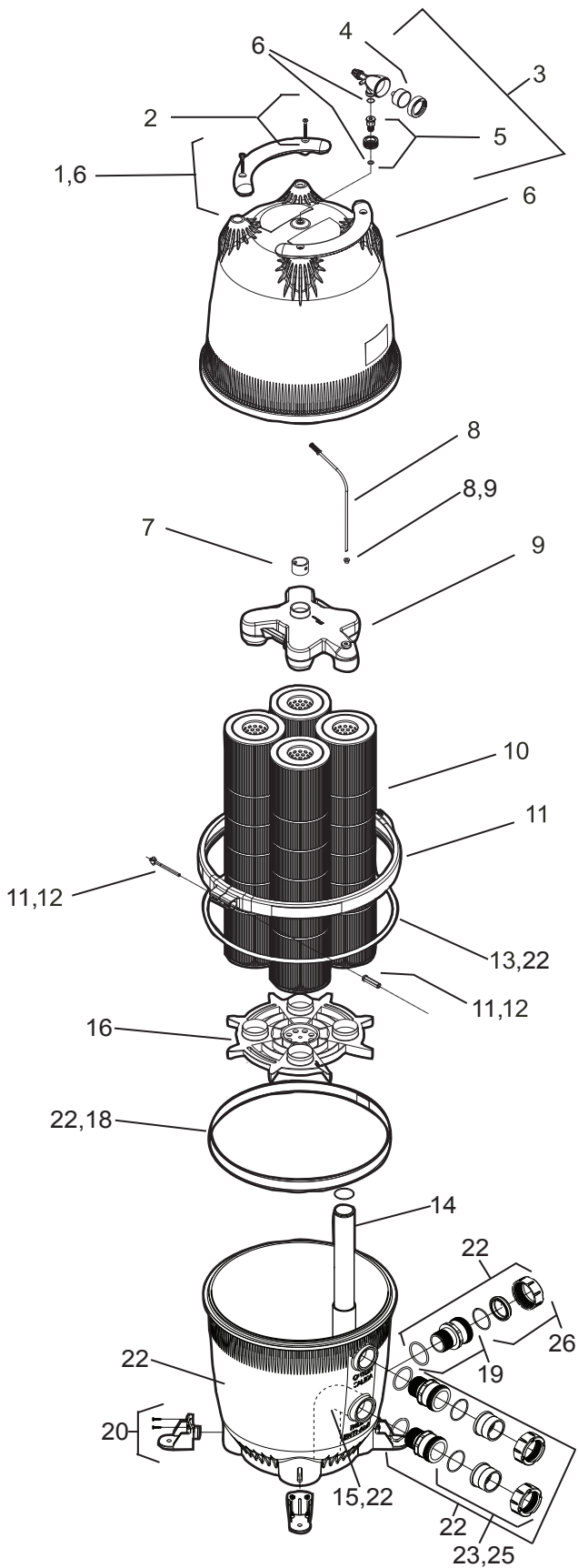
9.1 Liste des pièces des filtres à cartouche CL et CV

| Clé n° | Description | Numéro de modèle | Numéro de pièce |
|--------|--|------------------|-----------------|
| 1 | Ensemble poignées avec quincaillerie (ensemble de 2) | Tous | R0357100 |
| 2 | Quincaillerie de poignée (ensemble de 4) | Tous | R0359900 |
| 3 | Ensemble manomètre/purgeur d'air | Tous | R0357200 |
| 4 | Manomètre | Tous | R0359600 |
| 5 | Adaptateur de réservoir avec joint torique et écrou de raccord union | Tous | R0552000 |
| 6 | Couvercle du réservoir | 580 | R0357300 |
| | Couvercle du réservoir | 340,460 | R0554700 |
| 7 | Entretoise supérieure | Tous | R0357700 |
| 8 | Ensemble tuyau de purge | Tous | R0358700 |
| 9 | Ensemble collecteur | Tous | R0357600 |
| 10 | Cartouche filtre, 13,45 m ² (145 pieds carrés) (4 requis) | 580 | R0357900 |
| | Cartouche filtre, 10,7 m ² (115 pieds carrés) (4 requis) | 460 | R0554600 |
| | Cartouche de filtre, 7,9 m ² (85 pieds carrés) (4 requis) | 340 | R0554500 |
| 11 | Ensemble anneau de serre-joint du réservoir avec tige | Tous | R0357400 |
| 12 | Tige filetée et écrou de serrage | Tous | R0357500 |
| 13 | Joint torique du réservoir | Tous | R0357800 |
| 14 | Ensemble tuyau de sortie/coude avec joints toriques | Tous | R0555100 |
| 15 | Coude d'admission avec joint torique | Tous | R0358400 |
| 16 | Support de la cartouche filtre | Tous | R0358500 |
| 17* | Ensemble joint torique de remplacement | Tous | R0358000 |
| 18 | Anneau, Retenue | Tous | R0405200 |
| 19 | Ensemble cloison avec joint torique, Filtre CV | Tous | R0465600 |
| 20 | Support d'ancrage (Qté 4) | Tous | R0465500 |
| 21 | Ensemble base du réservoir, Filtre CV | Tous | R0465400 |
| 22 | Ensemble base du réservoir, Filtre CL | Tous | R0466500 |
| 23 | Demi raccords unions universels (ensemble de 3) et Bouchon de vidange | Tous | R0461800 |
| 24* | Coude élançé | Tous | SEFL1002 |
| 25 | Demi raccord union universel (ensemble de 1) | Tous | R0522900 |
| 26 | Ensemble bouchon de vidange | Tous | R0523000 |

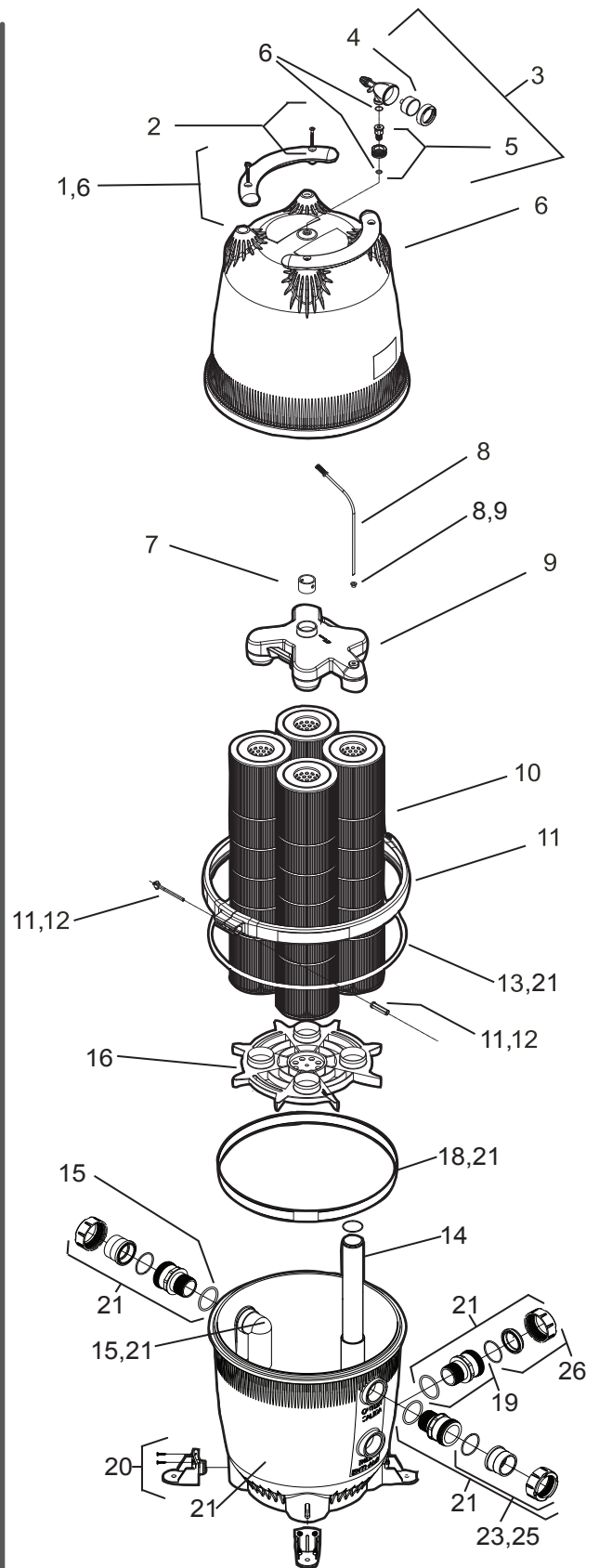
* Pièces qui ne figurent pas sur la vue éclatée

9.2 Vue éclatée des filtres CL et CV

Filtre CL

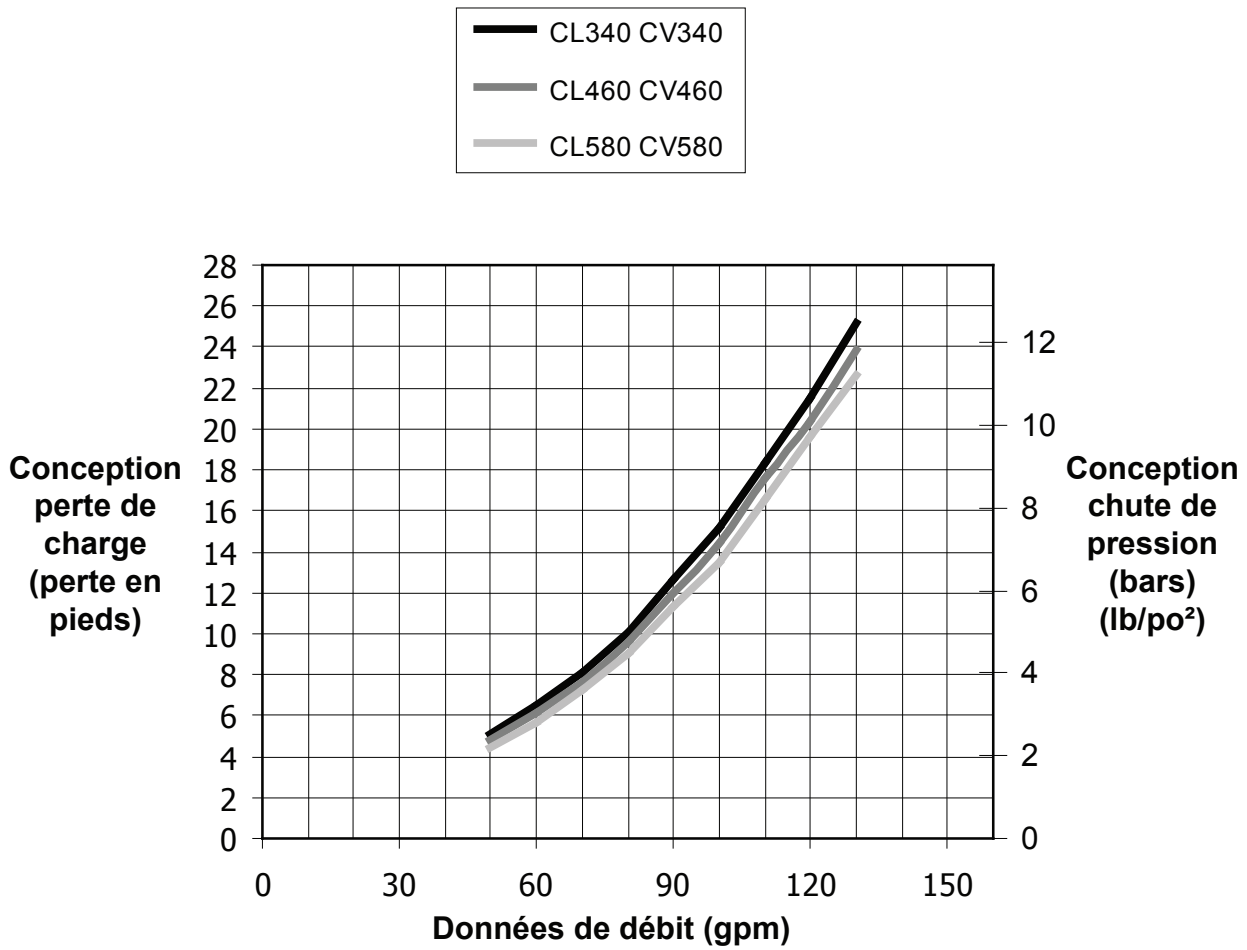


Filtre CV



Section 10. Courbes de perte de charge

10.1 Courbes de perte de charge des filtres à cartouche CL et CV



Zodiac Pool Systems Canada, Inc.
2-3365 Mainway, Burlington, Ontario L7M 1A6
+1(888) 647-4004 | www.ZodiacPoolSystems.ca

Zodiac Pool Systems LLC
2882 Whiptail Loop East #100, Carlsbad, CA 92010
1.800.822.7933 | www.ZodiacPoolSystems.com

©2019 Zodiac Pool Systems LLC. ZODIAC® est une marque déposée de Zodiac International, SASU, utilisée sous licence. Toutes les autres marques citées sont la propriété respective de leur propriétaire.

H0291800 Rev H